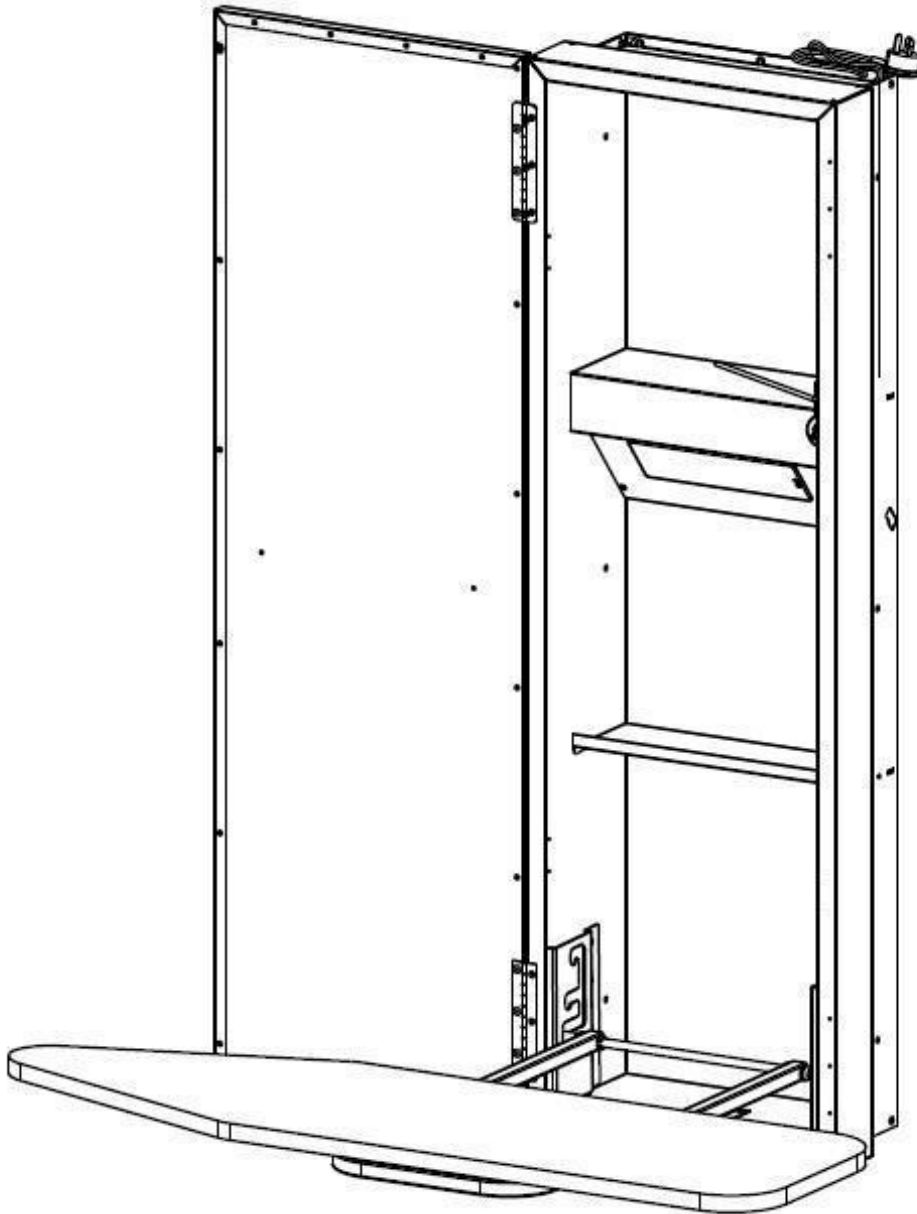
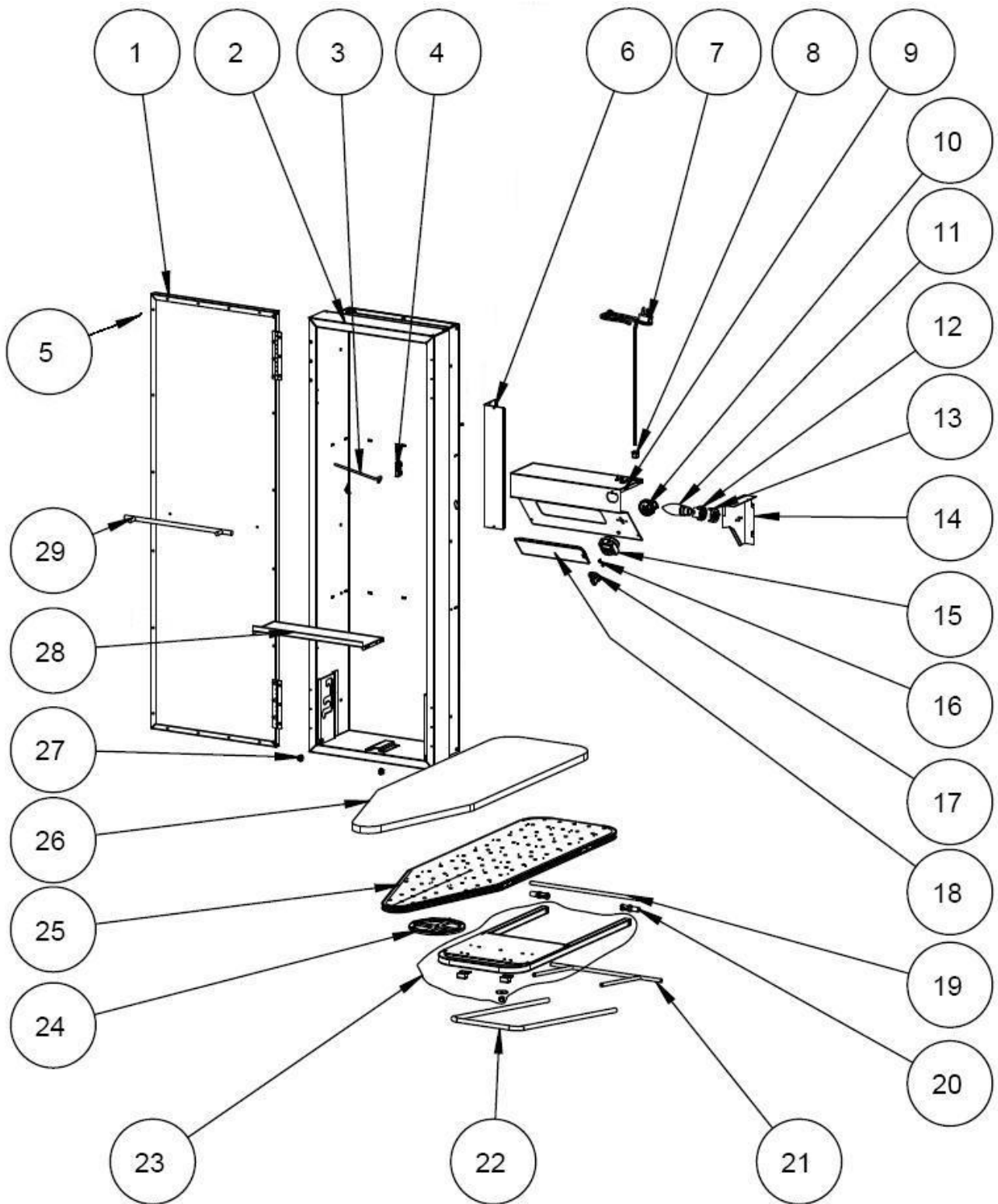




Description: **ROBINHOOD IRONING CENTRE**
Model Number: **IC1300**



Exploded View



		Part number
Item	Description	IC1300
1	Door Assembly	107922
*2	Cabinet	Part not available
3	Board Retainer	107876WH
4	Retainer Bracket Plastic	107771WH
5	I/C Installation Kit (Door)	107923
6	Electric Cover	Part not available
7	Power Cord	107778
8	Heyco Bush	104044
*9	Console	Part not available
10	Power Point	107810
11	Incandescent Globe	102722
12	Lamp Holder	103715
13	Snap On Insulation Cap	107646
*14	Wire Cover	Part not available
15	Timer	107655
*16	SCREW 6x1/4"	Part not available
17	Timer Knob	107499WH
18	Diffuser	103125
19	Pivot Rod	107855WH
20	Bush Height Adjustment 	107845
21	Pivot Stop	107873WH
22	U Bar	107875WH
23	Swivel Assembly Spare Part	107673
24	Rotational Bearing	107617
25	Ironing Board Spare Part	107672
**26	Ironing Board Cover	IBC01
27	Grommit height adjustment 	107877

		Part number
Item	Description	ICI300
28	Shelf	Part not available
29	Handle	751048
**30	Surface Mounting Kit Accessory	ICSMK
NS	Gel badge for Ironing Centre Door for right hand hinged door	Contact RH Customer Service Aus 1800 648 556 NZ 0800 760 667

* Parts not available outside of production

** Available for purchase

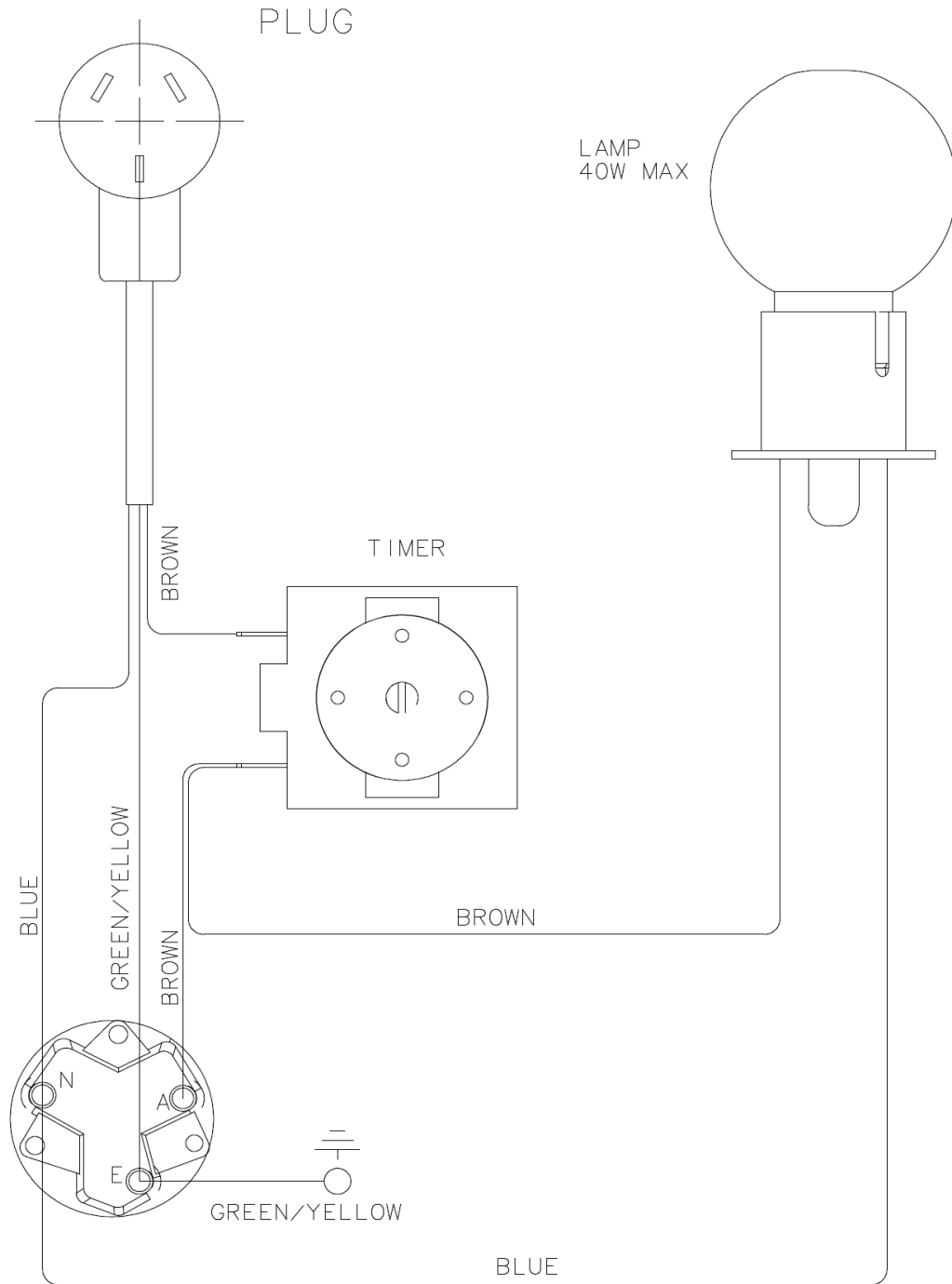
NS Not shown

Ironing Board Removal

ON **IC1300**

- Undo the M8 nut under the Ironing board.
- Replace the Ironing board.
- Replace flat washer and locknut; tighten to achieve correct locking when rotated.

Electrical Circuit Diagram from the IC1300



ECN: 09 056

New Zealand
Parbury Building Products (NZ) Limited
Telephone: 0800 760 667
Facsimile: 0800 276 246
Email: enquiries@robinhood.co.nz
www.robinhood.co.nz

Australia
Parbury Pty Limited
(ABN 83 004 568 138)
Telephone: 1800 648 556
Facsimile: 1800 628 577
Email: enquiries@robinhood.com.au
www.robinhood.com.au

 Robinhood