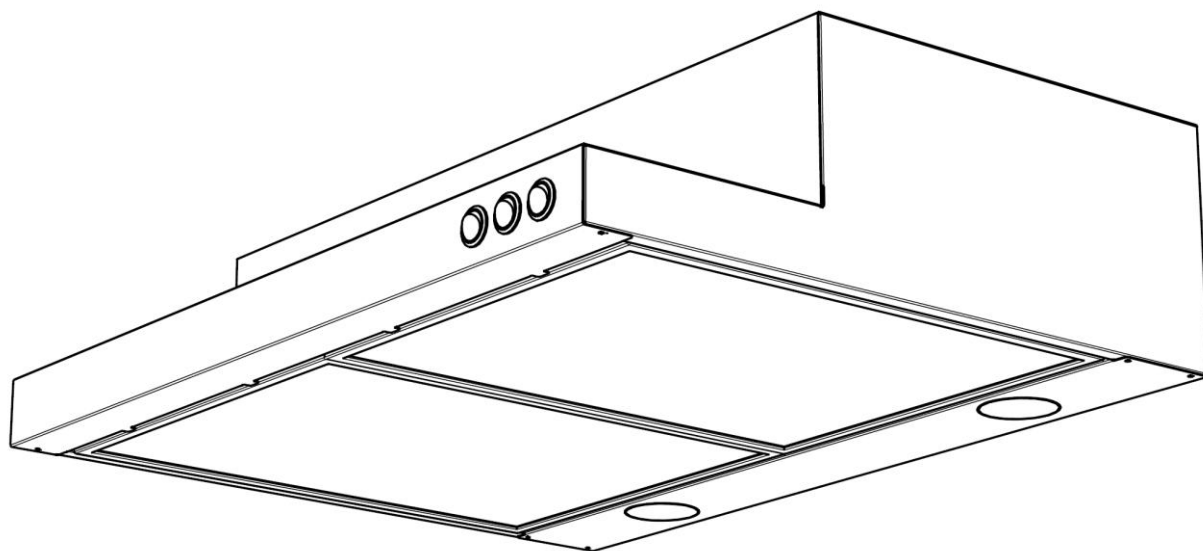
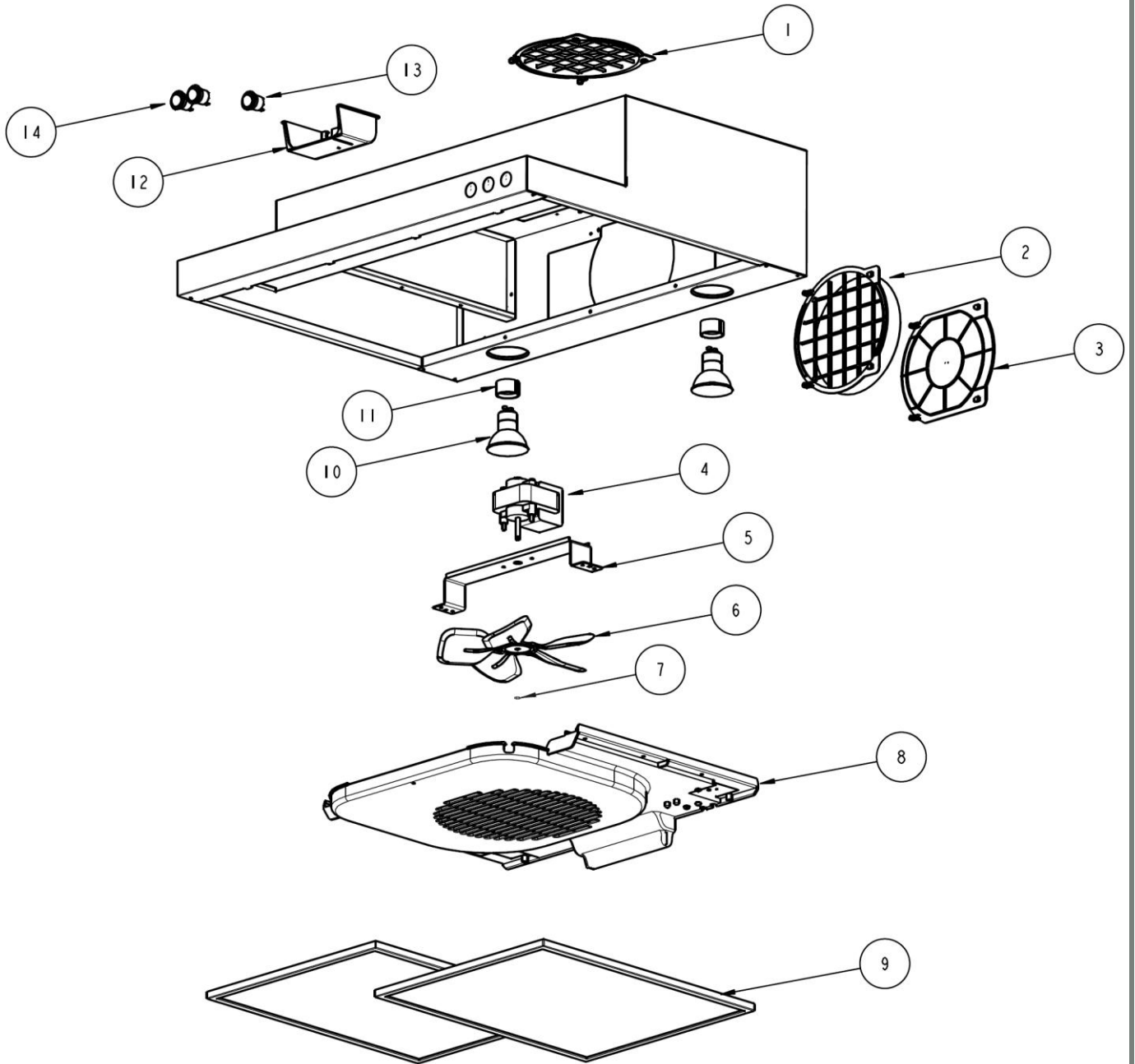


Description: **ROBINHOOD COMPACT CANOPY**  
Model Number: **RCB2AH6WH, RCB2AH6SS, RCB2AH9WH, RCB2AH9SS**



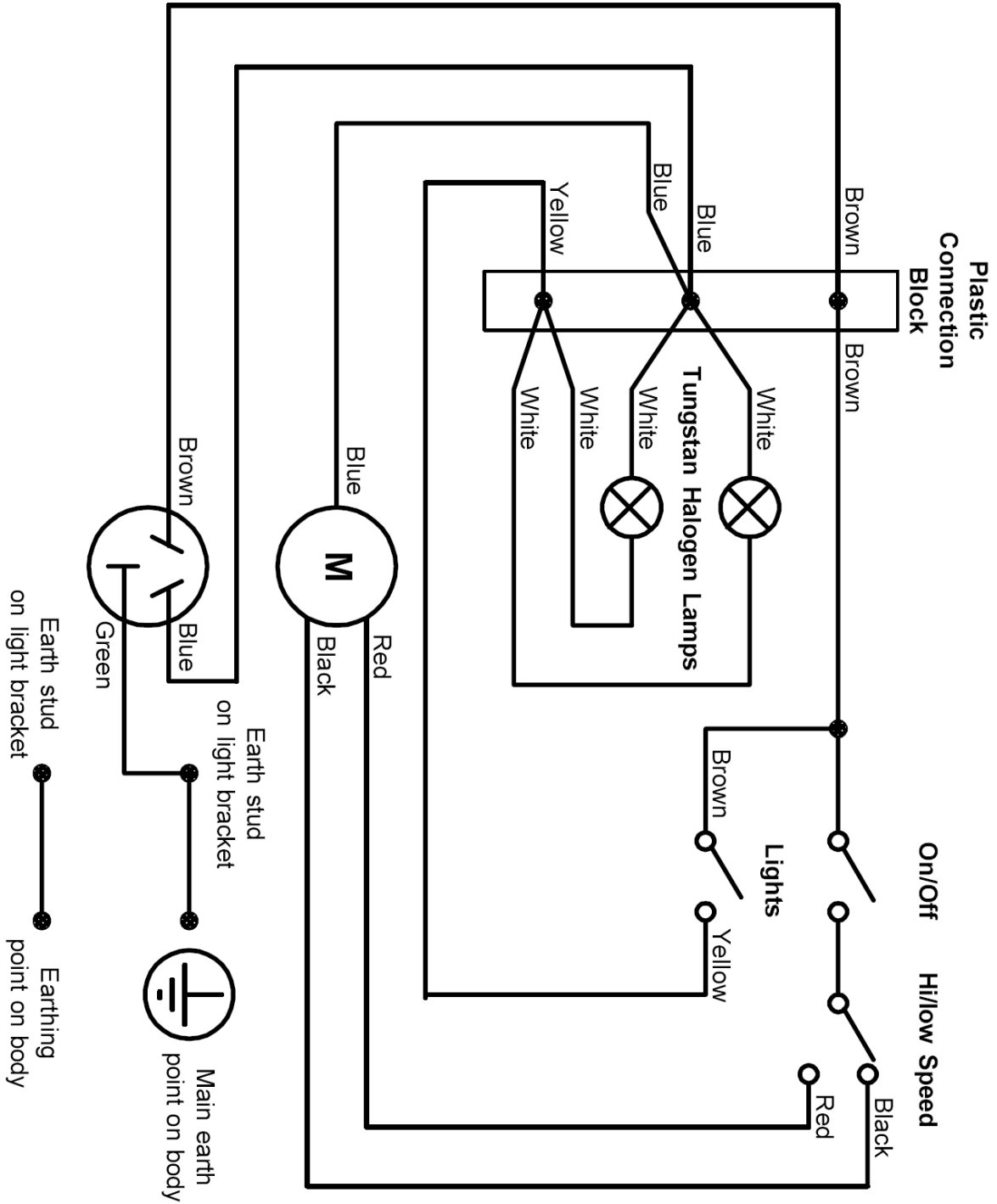
Model pictured: **RCB2AH6WH/SS**

# Exploded view



Item	Description	Part number	
		White models	Stainless steel models
<b>1</b>	Recirculation grille	200007WH	200007GY
<b>2</b>	150mm round duct adaptor	200016WH	200016GY
<b>3</b>	Duct cover	200017WH	200017GY
<b>4</b>	Motor 2 Speed (incl nuts, washers)	103673	
<b>5</b>	Motor bracket	200009	
<b>6</b>	Fanblade 'D' Shaft	102283	
<b>7</b>	E-Clip	999084	
<b>8</b>	Motor Housing	200004GN	
<b>9</b>	Filter Std 286 x 362.5 (Single)	115007	
	Filter Charcoal 286 x 362.5 (2 pack for 600 model)	2534	
	Filter Charcoal 286 x 362.5 (3 pack for 900 model)	2547	
<b>10</b>	Halogen Lamp 50W 240V	111020	
<b>NS</b>	Spring Clip - Filter	115009	
<b>11</b>	Lamp Holder	111021	
<b>12</b>	Switch Cover	200003GN	
<b>13</b>	Rocker Switch On/On (Fan speed)	200070WH	200070GY
<b>14</b>	Rocker Switch On/Off (Power, Lights)	200069WH	200069GY

# Wiring diagram



ISO 9001/2000 CERTIFICATION

## New Zealand

Robinhood Ltd  
 Telephone: 0800 760 667  
 Facsimile: 0800 276 246  
 Email: [enquiries@robinhood.co.nz](mailto:enquiries@robinhood.co.nz)  
[www.robinhood.co.nz](http://www.robinhood.co.nz)

## Australia

Robinhood PTY Ltd  
 Telephone: 1800 648 556  
 Facsimile: 1800 628 577  
 Email: [enquiries@robinhood.com.au](mailto:enquiries@robinhood.com.au)  
[www.robinhood.com.au](http://www.robinhood.com.au)

 Robinhood