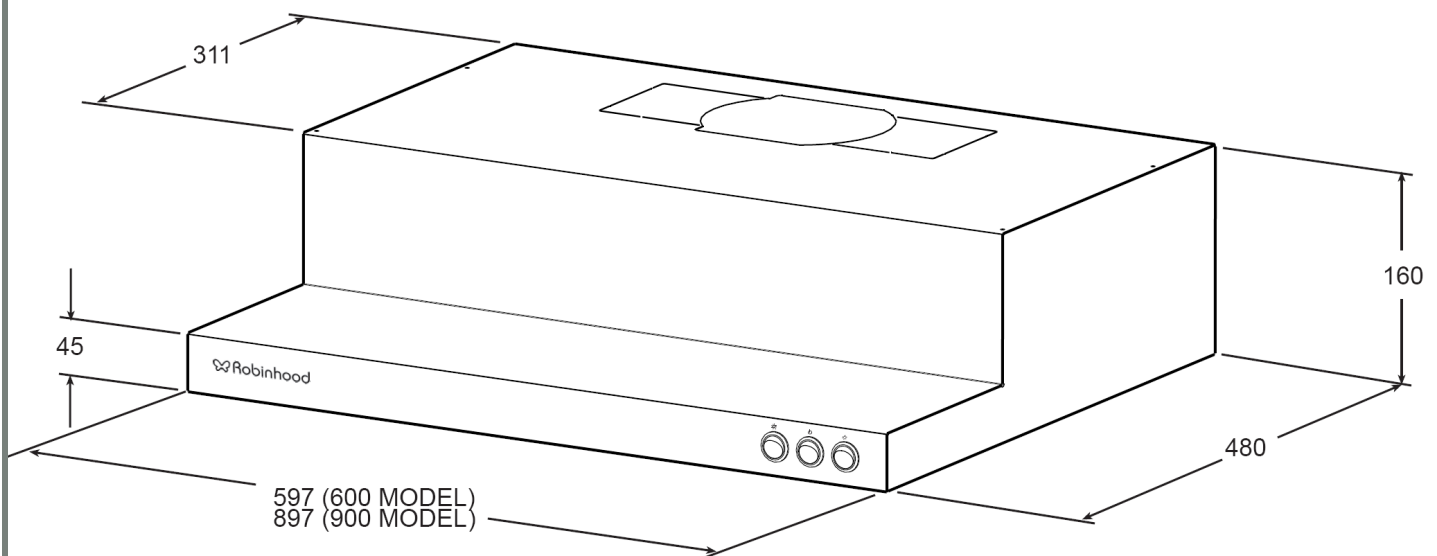


Description: **ROBINHOOD COMPACT CANOPY**
 Model Number: **RCB2AH6WH, RCB2AH6SS, RCB2AH9WH, RC2AHB9SS**

Typical design



Features and benefits

- **High performance extraction fan**
 High performance extraction fan rapidly removes steam, smoke and cooking smells from your kitchen. Two-speed switch lets you select the fan strength you need – half strength for steamed vegetables; full strength for stir fries.
- **Halogen lamps**
 50 watt halogen lamps illuminate the entire cooking surface. Lamps are quick and easy to replace.
- **Multi-layered micromesh filters**
 Multi-layered micromesh filters effectively trap grease. They're simple to remove and are easily maintained with a regular clean in the dishwasher.
- **Various installation options**
 This rangehood can be installed to be totally visible or can be built into a cupboard above the cook top.
- **Rectilinear design**
 Simple styling makes cleaning easy. High quality stainless or powder coated steel and the fingertip controls are easy to clean with a damp cloth.
- **Thermal overload switch**
 Thermal overload function that senses extreme heat and disconnects power to the motor temporarily. If you have a cooking disaster, and something catches fire, the rangehood automatically switches off to prevent flames and sparks being sucked into the ducting or ceiling. *
- **Recirculation option**
 In situations where ducting isn't possible, your rangehood can be fitted with charcoal filters that effectively cleanse the air before returning it to the kitchen.

Specifications

Technical data:

- 2 speed axial motor
- 2 x 50 Watt halogen lamps
- Gauge of steel (RCB2AH6SS, RCB2AH9SS): 0.6mm
- Type of steel (RCB2AH6SS, RCB2AH9SS): 430 stainless steel
- Finish of steel (RCB2AH6SS, RCB2AH9SS): brush number 4
- Gauge of steel (RCB2AH6WH, RCB2AH9WH): 0.6mm
- Type of steel (RCB2AH6WH, RCB2AH9WH): panel steel
- Finish of steel (RCB2AH6WH, RCB2AH9WH): powder coat appliance white
- 240 Volt. 50 Hertz. 212 Watt.
- Tested to EMC AS/NZS – CISPR14:2001
- Electrical approval AS/NZS 3350.2.31.2001
- Performance tested to IEC61591 (replaces AS2682-1984)
- Filter specifications: Three layered micro mesh
- Length of power cord: 1250mm
- Ducting outlet: 285 x 85mm or 150mm diameter – top or rear ducting options (round outlet supplied with unit)
- Recirculation option through top duct outlet

Gross weight: RCB2AH6WH 7.4 kg. RCB2AH9WH 9.5 kg RCB2AH6SS 7.2 kg. RCB2AH9SS 9.2 kg.

Volume: 0.057m³ (600 model), 0.085m³ (900 model)

Carton dimensions : 611 x 183 x 510mm (600 model), 911 x 183 x 510mm (900 model)

Rangehood dimensions: 597 x 160 x 480mm (600 model), 897 x 160 x 480mm (900 model)

Performance data:

- Duct position: top
- Duct shape: rectangular

Fan speed 1	298m ³ /hr
Fan speed 2	393m ³ /hr
Noise speed 1	51.5dB
Noise speed 2	63.6dB

- Duct position: top
- Duct Shape: round

Fan speed 1	245m ³ /hr
Fan speed 2	305m ³ /hr
Noise speed 1	51.5dB
Noise speed 2	63.6dB

- Duct position: rear
- Duct shape: rectangular

Fan speed 1	291m ³ /hr
Fan speed 2	360m ³ /hr
Noise speed 1	51.5dB
Noise speed 2	63.6dB

- Duct position: rear
- Duct shape: round

Fan speed 1	245m ³ /hr
Fan speed 2	298m ³ /hr
Noise speed 1	51.5dB
Noise speed 2	63.6dB

ISO 9001/2000 CERTIFICATION

New Zealand

Robinhood Ltd
Telephone: 0800 760 667
Facsimile: 0800 276 246
Email: enquiries@robinhood.co.nz
www.robinhood.co.nz

Australia

Robinhood PTY Ltd
Telephone: 1800 648 556
Facsimile: 1800 628 577
Email: enquiries@robinhood.com.au
www.robinhood.com.au

