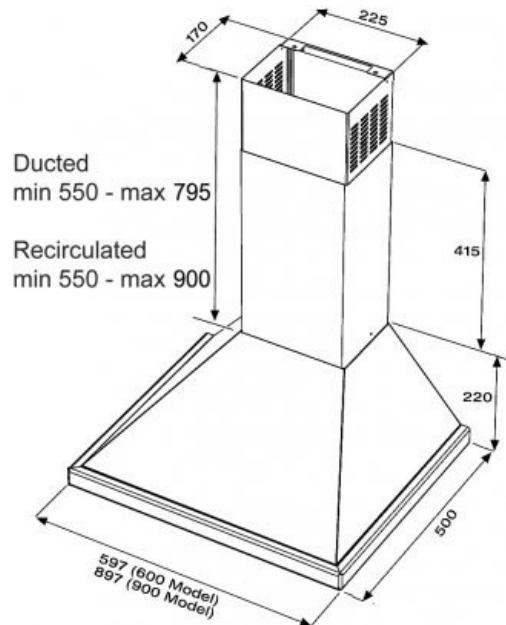


Product and Technical Sheet

Description: **Robinhood Canopy**
Model Numbers: **RCC600SS, RCC900SS, RCC600WH, RCC900WH**

Typical design



All dimensions in mm

Features and benefits

- Stainless steel grain runs one way
- 0.5mm gauge stainless steel
- Slide controls for lights and speed selection
- Micro mesh filters
- Diffused and angled twin 40 watt incandescent lights
- 3 speed centrifugal fan
- Available in 600mm (model RCC600SS) or 900mm (model RCC900SS)
- Wide 125mm exhaust outlet
- 2 piece adjustable stainless steel flue
- Optional flue lengths 800mm and 1200mm
- Fire retardant plastic parts
- Safety thermal overload switch
- Creates a superb finish
- Corrosion resistant
- Prevents finger marks around the switches and is easier to clean
- Extra fine filters trap all the grime and are dishwasher safe for easy cleaning. Excellent aesthetics.
- Ensures perfect light dispersion over the entire cooking area
- Performance with a gross airflow of 400cm³ tested to Australian Standards AS2682
- Designed to suit all kitchens
- Ensures greater volumes of air are expelled from the kitchen
- Can be fitted to standard kitchen ceiling
- Safety
- Provides peace of mind by automatically switching off if a fire occurs and thereby prevents the fire being sucked up into the ceiling

Specifications

Technical data:

- 220mm centrifugal fan motor 200 watt
- 240 Volt / 50 Hertz
- Tested to EMC AS/NZS4417 (radio frequency interference)
- Electrical approval AS/NZS3310-1992
- Performance tested to AS2682-1984
- 40 watt incandescent lights

Gross weight (kg) : 600mm 10.36kg; 900mm 12.85kg

Carton volume: 0.130m³ (600mm); 0.200m³ (900mm)

Carton dimensions: 360 x 590 x 655 (600mm), 360 x 590 x 955 (900mm)

Performance data:

Fan speed 1	361m ³ /hr
Fan speed 2	397m ³ /hr
Fan speed 3	400m ³ /hr (approx)
Noise speed 1	55dB
Noise speed 2	58dB
Noise speed 3	60dB

New Zealand

Robinhood Ltd
Telephone: 0800 760 667
Facsimile: 0800 276 246
Email: enquiries@robinhood.co.nz
www.robinhood.co.nz

Australia

Robinhood PTY Ltd
Telephone: 1800 648 556
Facsimile: 1800 628 577
Email: enquiries@robinhood.com.au
www.robinhood.com.au