



CANOPY RANGE HOOD

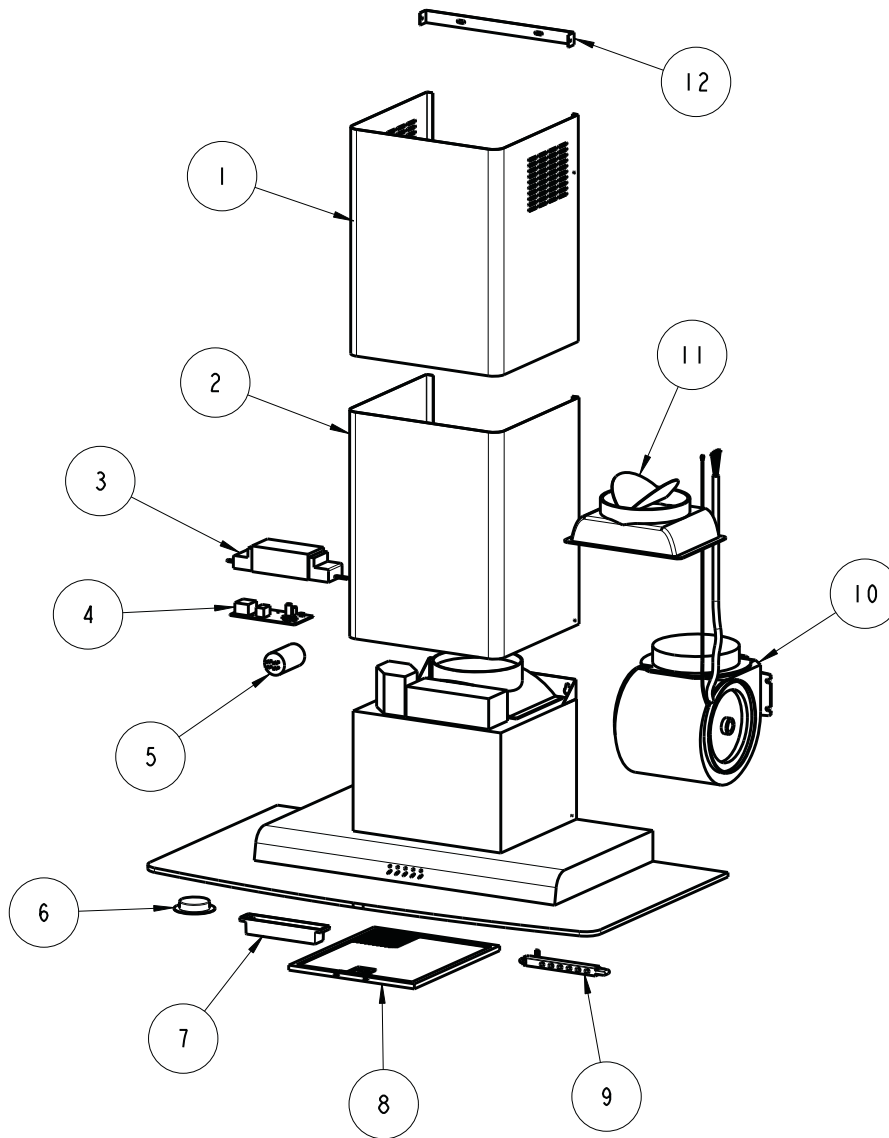
PIATTO - Wall
RHCP9G

APPROVED
ISSUE: C
ECN 07 033

Page 1 of 3

Product may vary
from photograph

RHCP9G PIATTO Wall



PIATTO WALL - RHCP9G						NS=NOT SHOWN
1	UPPER CHIMNEY	114343	7	OIL CAPTURE CUP	114321	
NS	UPPER CHIMNEY EXTENSION	2193	8	ALUMINIUM FILTER	114311	
2	LOWER CHIMNEY	114342	NS	CHARCOAL FILTER	2517	
NS	LOWER CHIMNEY EXTENSION	2192	9	SWITCH	114316	
3	TRANSFORMER (20W)	114315	10	MOTOR	114320	
4	PRINTED CIRCUIT BOARD	114317	11	DUCT ADAPTOR	114325	
5	CAPACITOR	114327	12	CHIMNEY BRACKET	114322	
6	LAMP ASSEMBLY (10W)	114323	NS	INSTALLATION KIT	114326	
NS	BULB ONLY (10W)	114313				

RHCP9G PIATTO Wall

Wiring Diagram

