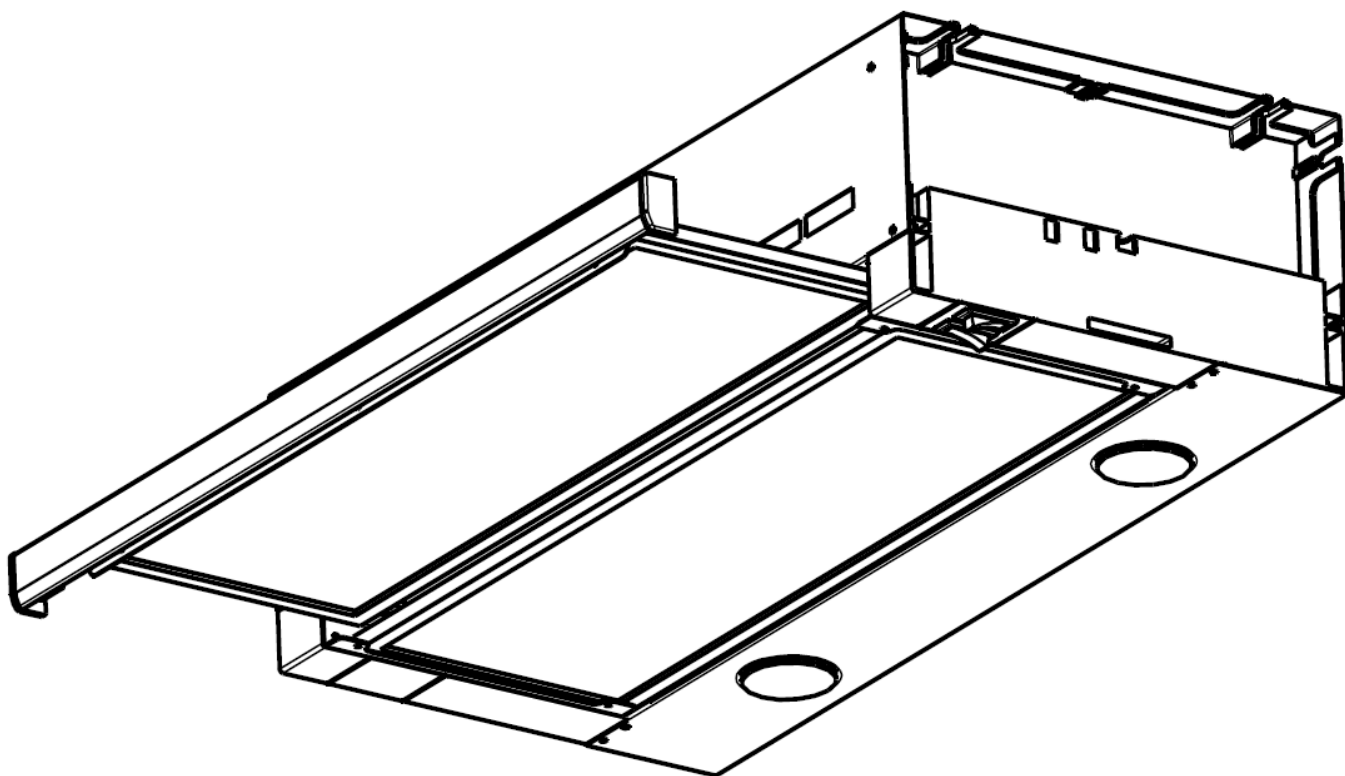
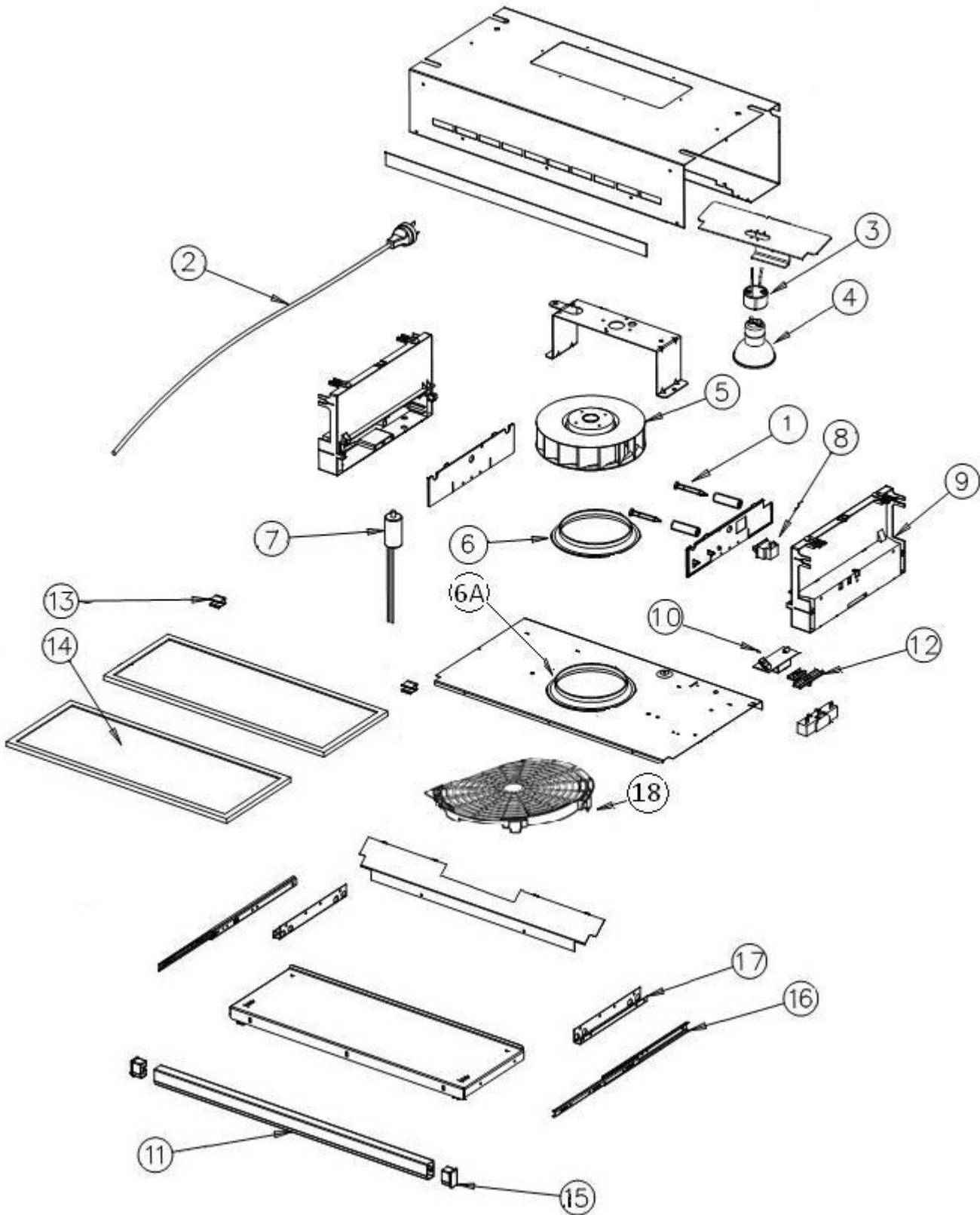


Description: **ROBINHOOD SLIDEOUT**  
Model Number: **RI6WH, RI6SS, RI9WH, RI9SS**  
**RI61WH, RI61SS**



Model pictured: **RI6WH/SS RI61WH/SS**

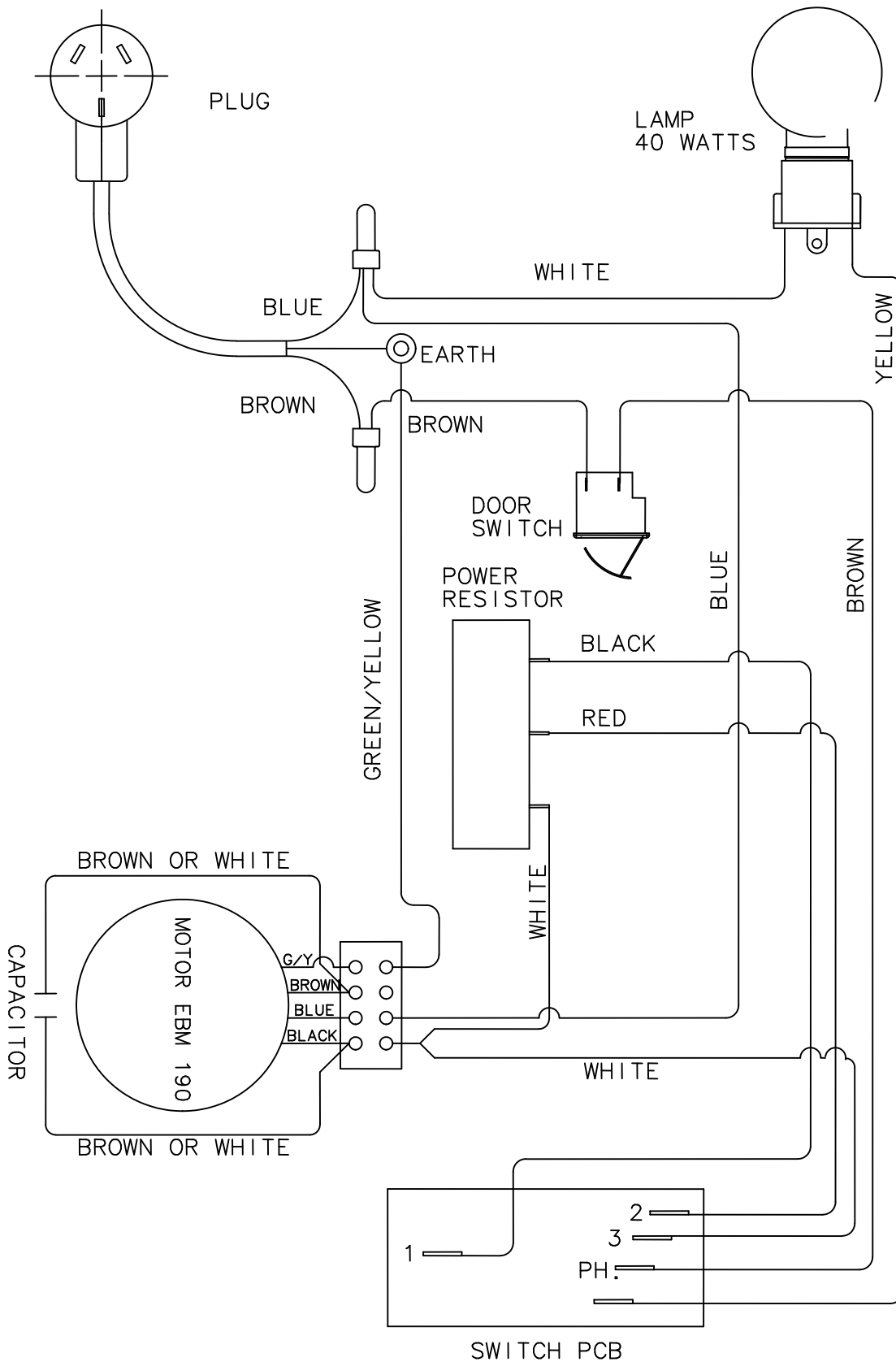
# Exploded view



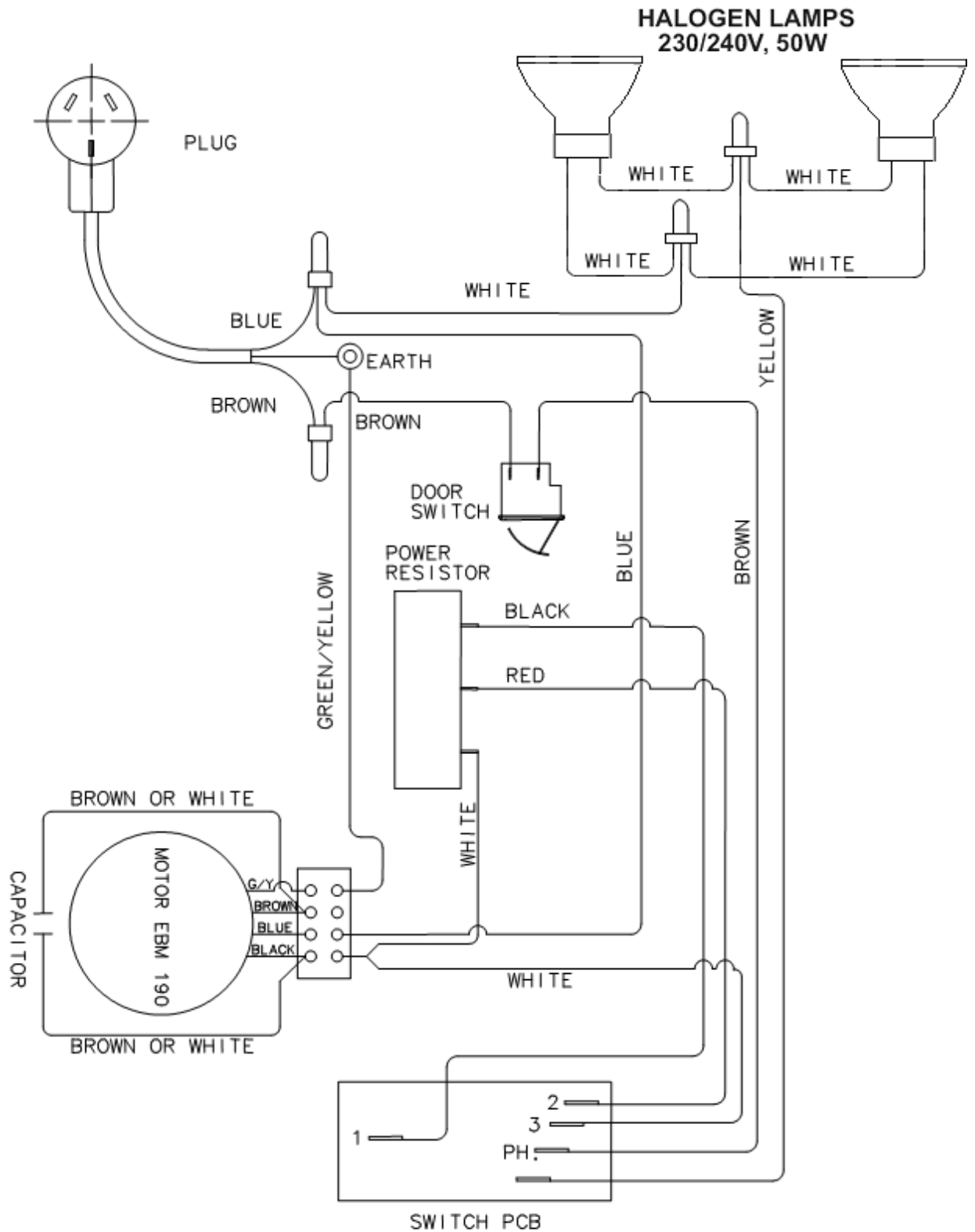
Item	Description	Part number	
		RI6WH RI61WH	RI6SS RI61SS
<b>1</b>	Side fixing screw and dowel kit (4 pieces)	111053	
<b>2</b>	Power cord	103821	
<b>3</b>	Halogen lamp holder ( <i>If manufactured post 21/4/08</i> )	111021	
	Halogen lamp holder ( <i>If manufactured between 24-11-08 and 18-12-08</i> )	111075	
	Incandescent lamp holder ( <i>If manufactured pre 21/4/08</i> )	101104	
<b>4</b>	Halogen lamp ( <i>If manufactured post 21/4/08</i> )	111020	
	Incandescent lamp ( <i>If manufactured pre 21/4/08</i> )	102722	
<b>NS</b>	Incandescent lamp diffuser ( <i>If manufactured pre 21/4/08</i> )	103125	
<b>5</b>	Motor/Fan 3 speed centrifugal ( <i>If manufactured pre 31/7/09</i> )	103949	
	Motor/Fan 3 speed centrifugal ( <i>If manufactured post 31/7/09</i> )	111088	
<b>6</b>	Bell mouth ( <i>If manufactured pre 31/7/09</i> )	103193	
<b>6A</b>	Bell mouth now part of panel ( <i>If manufactured post 31/7/09</i> )	N/A	
<b>7</b>	Capacitor 2.0 micro Farad ( <i>If manufactured post 31/7/09</i> )	111085	
	Capacitor 2.0 micro Farad ( <i>If manufactured pre 31/7/09</i> )	103950	
<b>8</b>	Door switch	102686	
<b>9</b>	Side plastic kit ( <i>If manufactured post 31/7/09</i> )	111050	111051
	Side plastic kit ( <i>If manufactured between 8/9/08 and 31/7/09</i> ) – confirm colour		111050 or 111051
	Side plastic kit ( <i>If manufactured pre 8/9/08</i> )		111051
<b>10</b>	PCB for 3 speed switch	103593	
<b>11</b>	Front Handle 32mm	103774WH	103775SS
<b>12</b>	Slider Switches ( <i>If manufactured post 31/7/09</i> )	102268WH	102268BL
	Slider Switches ( <i>If manufactured between 8/9/08 and 31/7/09</i> ) – confirm colour		102268WH or 102268BL
	Slider Switches ( <i>If manufactured pre 8/9/08</i> )		102268BL
<b>13</b>	Filter Clip – ( <i>If manufactured pre 31/7/09</i> )	102224BLNZ	
	Filter Clip – ( <i>If manufactured post 31/7/09</i> )	102224WH	
<b>14</b>	Filter aluminium mesh 478mm x 188mm	103831	
	Filter charcoal 478mm x 188mm (pack of 2)	1497	
<b>15</b>	End Cap ( <i>If manufactured post 31/7/09</i> )	103778WH	103778GY
	End Cap ( <i>If manufactured between 8/9/08 and 31/7/09</i> ) – confirm colour		103778WH or 103778BL
	End Cap ( <i>If manufactured pre 8/9/08</i> )		103778BL
<b>16</b>	Sliding track	102245	
<b>17</b>	Slider bracket ( <i>If manufactured post 31/7/09</i> )	103635WH	103636WH
	Slider bracket ( <i>If manufactured between 8/9/08 and 31/7/09</i> ) – confirm colour		103635WH or 103635BL
	Slider bracket ( <i>If manufactured pre 8/9/08</i> )		103635BL
<b>18</b>	Finger Guard	103798	

Item	Description	Part number	
		RI9WH	RI9SS
<b>1</b>	Side fixing screw and dowel kit (4 pieces)	111053	
<b>2</b>	Power cord	103821	
<b>3</b>	Halogen lamp holder <i>(If manufactured post 21/4/08)</i>	111021	
	Halogen lamp holder <i>(If manufactured between 24-11-08 and 18-12-08)</i>	111075	
	Incandescent lamp holder <i>(If manufactured pre 21/4/08)</i>	101104	
<b>4</b>	Halogen lamp <i>(If manufactured post 21/4/08)</i>	111020	
	Incandescent lamp <i>(If manufactured pre 21/4/08)</i>	102722	
<b>NS</b>	Incandescent lamp diffuser <i>(If manufactured pre 21/4/08)</i>	103125	
<b>5</b>	Motor/Fan 3 speed centrifugal <i>(If manufactured pre 31/7/09)</i>	103949	
	Motor/Fan 3 speed centrifugal <i>(If manufactured post 31/7/09)</i>	111088	
<b>6</b>	Bell mouth <i>(If manufactured pre 31/7/09)</i>	103193	
<b>6A</b>	Bell mouth now part of panel <i>(If manufactured post 31/7/09)</i>	N/A	
<b>7</b>	Capacitor 2.0 micro Farad <i>(If manufactured post 31/7/09)</i>	103950	
	Capacitor 2.0 micro Farad <i>(If manufactured pre 31/7/09)</i>	111085	
<b>8</b>	Door switch	102686	
<b>9</b>	Side plastic kit <i>(If manufactured between 8/9/08 and 31/7/09)</i> – confirm colour	111050	111050 or 111051
	Side plastic kit <i>(If manufactured pre 8/9/08)</i>		111051
<b>10</b>	PCB for 3 speed switch	103593	
<b>11</b>	Front Handle 32mm	103776WH	103777SS
<b>12</b>	Slider Switches <i>(If manufactured between 8/9/08 and 31/7/09)</i> – confirm colour	102268WH	102268WH or 102268BL
	Slider Switches <i>(If manufactured pre 8/9/08)</i>		102268BL
<b>13</b>	Filter Clip – <i>(If manufactured pre 31/7/09)</i>	102224BLNZ	
	Filter Clip – <i>(If manufactured post 31/7/09)</i>	102224WH	
<b>14</b>	Filter aluminium mesh 778mm x 188mm	103627	
	Filter charcoal 778mm x 188mm (pack of 2)	14981	
<b>15</b>	End Cap <i>(If manufactured between 8/9/08 and 31/7/09)</i> – confirm colour	103778WH	103778WH or 103778BL
	End Cap <i>(If manufactured pre 8/9/08)</i>		103778BL
<b>16</b>	Sliding track	102245	
<b>17</b>	Slider bracket <i>(If manufactured post 31/7/09)</i>	103635WH	103636WH
	Slider bracket <i>(If manufactured between 8/9/08 and 31/7/09)</i> – confirm colour		103635WH or 103635BL
	Slider bracket <i>(If manufactured pre 8/9/08)</i>		103635BL
<b>18</b>	Finger Guard	103798	

Wiring diagram - For models manufactured before the 21<sup>st</sup> April 2008



**Wiring diagram - For models manufactured after the 21<sup>st</sup> April 2008**



**New Zealand**  
 Parbury Building Products (NZ)  
 Limited  
 Telephone: 0800 760 667  
 Facsimile: 0800 276 246  
 Email: enquiries@robinhood.co.nz  
 www.robinhood.co.nz

**Australia**  
 Parbury Pty Limited  
 (ABN 83 004 568 138)  
 Telephone: 1800 648 556  
 Facsimile: 1800 628 577  
 Email: enquiries@robinhood