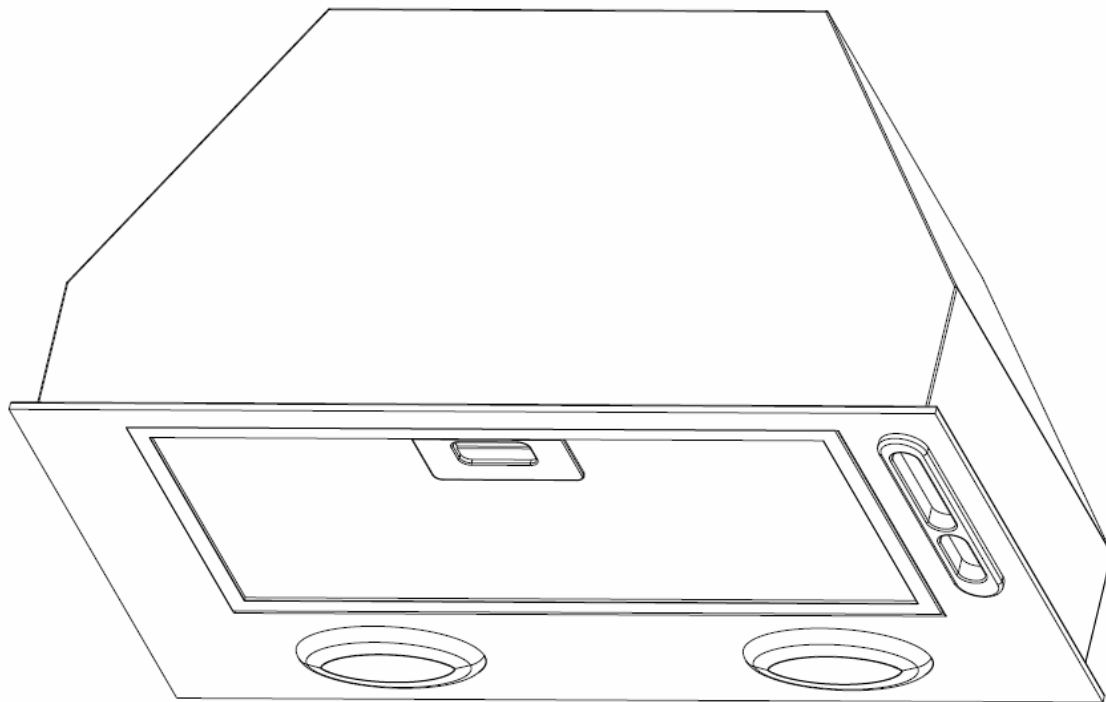


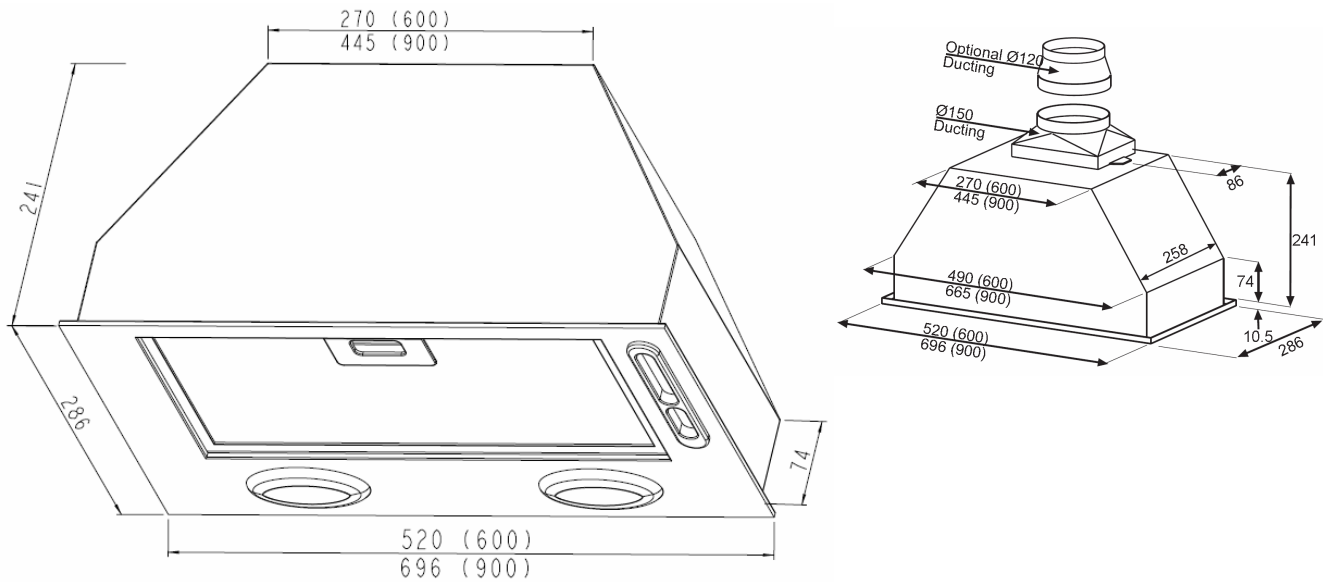
Description: **ROBINHOOD POWERPACK RANGEHOOD**
Model Numbers: **RPA3CI6SS/WH, RPA3CI9SS/WH**



Model pictured: **RPA3CI6SS/WH**

*All dimensions in mm
Model may vary slightly from images pictured*

Overview



Pre-installation

Thank you for purchasing a quality Robinhood rangehood. Robinhood has a high standard of quality control and every rangehood is tested and approved before it leaves the factory.

Important:

- Please read the entire instructions before installing the rangehood.
- Always switch power off prior to installation.
- Stainless steel is very easily damaged during installation if abraded or knocked by tools. Protect the rangehood with the cardboard box or plastic bag during installation.
- All electrical work must be done in accordance with local and national electrical codes as applicable.
- For safety, this product must be earthed.
- A power outlet should be within 1500mm of the power cord exit from the rangehood.
- The power socket must be accessible and enable the end user to isolate the rangehood from the power for the purpose of internal cleaning or maintenance.
- 150mm and 120mm round ducting adapters are supplied. All other ducting accessories are not supplied. All ducting must comply with local requirements and building codes.
- See Ducting options next page.

Contents of packaging:

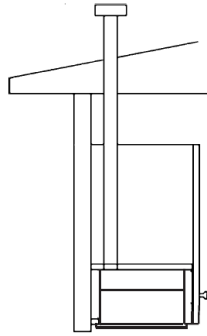
- 1 x rangehood body
- 2 x face plate
- 1 x 150mm ducting adaptor
- 1 x 120mm ducting adaptor
- 1 x packet of fasteners and wall plugs

Typical equipment required:

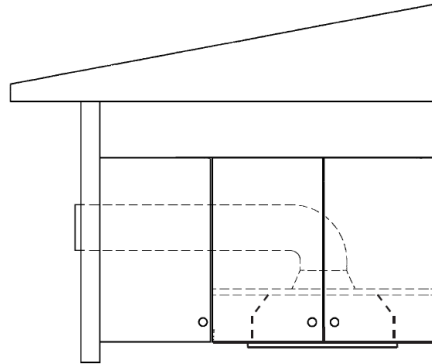
- electric drill
- screwdriver
- tape measure
- spirit level
- duct tape (if ducting)
- jig saw (if ducting)
- ladder (if ducting)

Ducting Options

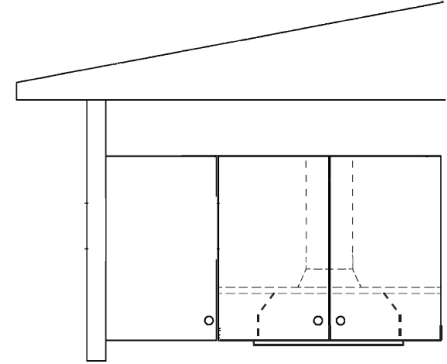
The method of ducting should be carefully considered before installing the rangehood. The guide below recommends the ducting components to use for all common ducting configurations - through the top of the home (for the roof and soffit) and through the rear of the home. 150mm round ducting should be used in conjunction with this model rangehood. Alternatively this rangehood can be operated in recirculation mode (see Recirculation mode Pg.5).



TOP DUCTING THROUGH ROOF



SIDE DUCTING



RECIRCULATING
(use Charcoal Filter Discs mounted
either side onto the Motor)

It is recommended that Ø150mm ducting is to be used, however a reducer from Ø150mm to Ø120mm is included with the rangehood should Ø120mm ducting be required.

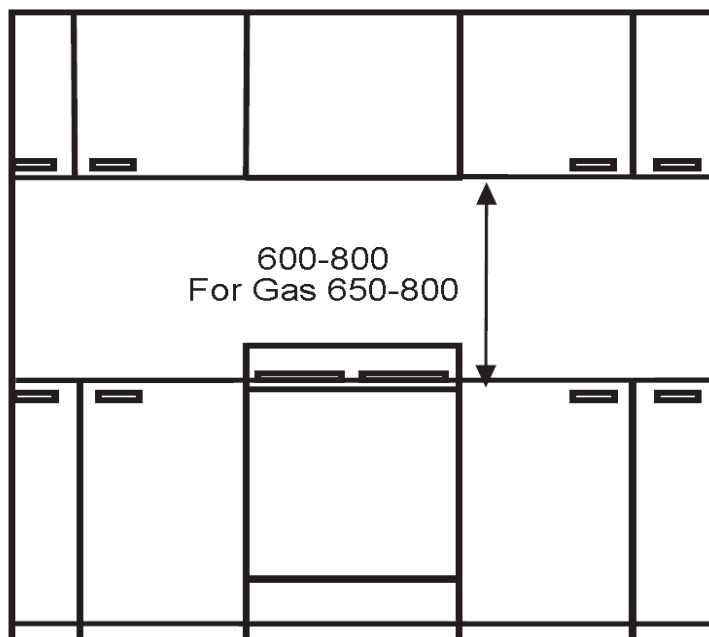
Extra lengths and/or bends may be required, depending on the length required and whether there is any structural material in the run e.g. rafters.

Some authorities require rangehoods to be vented outside. Ducted models should comply with this requirement in every respect.

Please note that this chart is designed as a guide. Please consult Robinhood customer services if unsure. For NZ phone 0800 760 667 or www.robinhood.co.nz. For AUS phone 1800 648 556 or www.robinhood.com.au.

Installation position

When installing the rangehood, the lower edge of the unit must be a minimum of 600mm (650mm for gas cooker) above the cooking range. The recommended position for the hood is 650mm above the hotplates.



Pictured: Minimum height from the hob surface to the underside face of the rangehood is:
600mm for electric hob, 650mm for gas hob

Notes: If the instructions for the gas hob specify a greater distance, this has to be taken into account.
Any installation above 750mm will compromise performance.

Installation

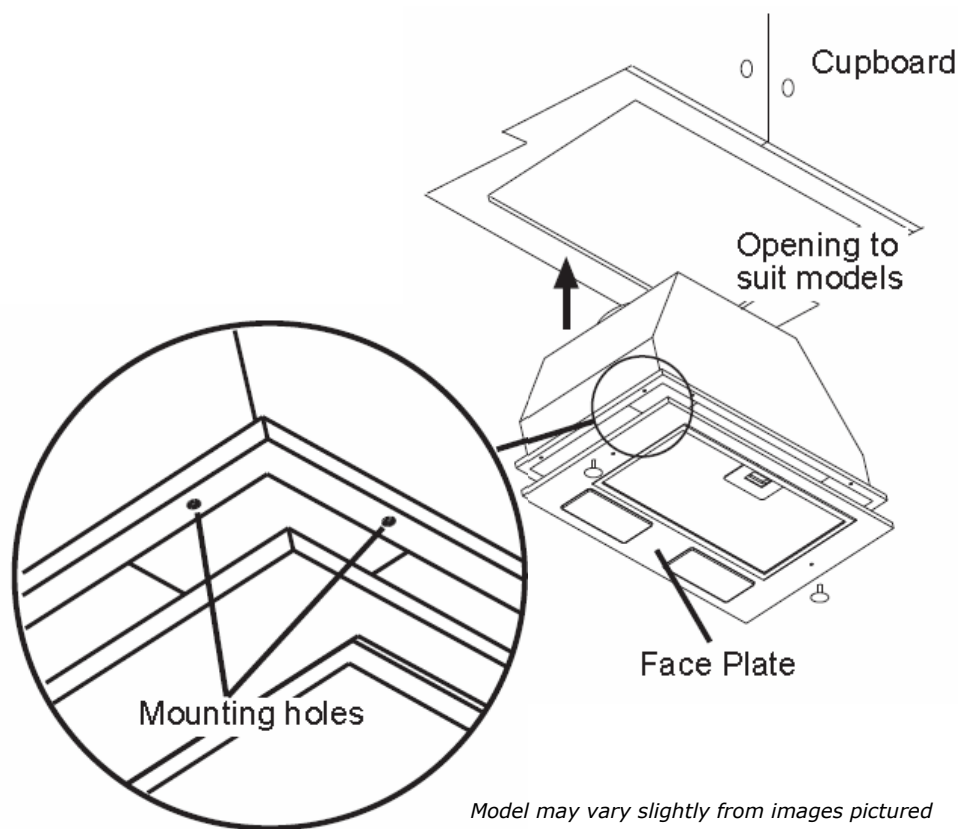
Mounting the Rangehood

Fit the ducting adaptor to the rangehood using the short screws supplied.

Provide an opening on the underside of the cupboard to suit models/ provide 490mm x 258mm for 600 model or 665mm x 258mm for 900 model.

Remove the face plate of the rangehood by undoing the two visible screws located on both side-ends. Eight mounting holes around the unit then are accessible.

Lift the rangehood and fit through the opening of the cupboard. Secure unit using long screws supplied. Refit face plate.



Recirculation mode

1. This unit can be installed to operate in recirculation mode where ducting is not a chosen/desired or practical option. Ensure that the top ducting outlet are not obstructed. Even a partial obstruction will restrict the efficiency of the rangehood.
2. Replace aluminium filters with charcoal filters (Pg. 6 Parts & Accessories list).

Operating instructions

Controls

Light

The light can be operated independently by sliding the light switch on/off despite the working status of the fan. Please refer to the icon on switch panel.

Fan

The fan is operated by sliding the power switch on. It can be run at three different speeds (Speed 1 / Speed 2 / Speed 3) depending on the cooking requirements. Please refer to the icons on switch panel.

Cleaning and maintenance

General Maintenance

Switch off the rangehood before cleaning or maintenance. To prevent surface damage never use abrasive or oil based liquid cleaners. To clean the surfaces of the appliance, use mild detergent and warm water. In areas of high humidity and coastal environments cleaning should be carried out frequently.

Warning: a build up of oil may occur if the rangehood is not cleaned regularly.

Filter Maintenance

To maintain efficiency, the filters should be removed regularly (approximately monthly), and washed using hot soapy water or the dishwasher.

Note: some discolouration of the frame may occur if washed in the dishwasher.

Rangehoods fitted with charcoal filters are designed to remove grease and odours from cooking vapours prior to the cleansed air re-entering the kitchen (when the rangehood is in recirculation mode). Charcoal filters should be replaced every two to four months depending on use.

Note: Fully saturated charcoal filters can become a barrier to air movement therefore limiting rangehood performance. In the event of fire, grease laden filters could be flammable and therefore regular replacement is recommended. In ducted installations, conventional aluminium filters are recommended.

Replacement of Incandescent bulbs

To replace a bulb, first disconnect the rangehood from the power supply. Use a small blade screwdriver to prise off the lamp cover. Care must be taken to avoid the lamp lens falling on to the hob top. The bulb is a screw fit into the lamp socket. Insert the replacement bulb into the lamp socket and replace the lamp cover.

Parts and Accessories list

- | | |
|------------------------------|--------------------------------------|
| ○ Charcoal filter | 2538 (600 Model)
2539 (900 Model) |
| ○ Incandescent bulb 240V 40W | 115235 |

For any other problems please call help line on NZ 0800 760 667 or AUS 1800 648 556

Product approvals and ratings

Product approval number	V08376
Product rating	290W (1.21A) Max at 240V 50Hz
Electric approval AS/NZS	60335.2.31:2004
EMC AS/NZS	CISPR14:2001
Performance tested	IEC61591

Important safety information

- This appliance is not intended for use by persons (including children) with reduced physical, sensory or mental capabilities, or lack of experience and knowledge, unless they have been given supervision or instruction concerning use of the appliance by a person responsible for their safety.
- Young children should be supervised to ensure that they do not play with the appliance.
- There shall be adequate ventilation of the room when the rangehood is used at the same time as appliances burning gas or other fuels.
- You must read the details concerning the method and frequency of cleaning.
- There is a fire risk if cleaning is not carried out in accordance with the instructions.
- Do not flambé under the rangehood.
- Exhaust air must not be discharged into an existing flue which is used for exhausting fumes from appliances burning gas or other fuels.
- The minimum distance between the hob surface and the lowest part of the rangehood is 600mm. This distance shall be at least 650mm, if the rangehood is installed over a gas hob. If the instructions for the gas hob specify a greater distance, this has to be taken into account.
- Attention should be given to ensure that any applicable regulations concerning the discharge of exhaust air is fulfilled.
- If the supply cord of this equipment is damaged, it must only be replaced by the manufacturer or its service agent or a similarly qualified person in order to avoid a hazard.

Warranty Certificate (New Zealand)

The benefits conferred hereunder are in addition to all other rights and remedies in respect of the product which the purchaser has by virtue of the Consumer Guarantee Act and similar legislation, and nothing contained in this Certificate shall in any way limit the purchaser's rights under such legislation.

Terms and Conditions

The following conditions apply in respect of the warranty given in this certificate:

1. Robinhood warrants this product against manufacturing defects and faulty materials for a period of:
2. **Rangehood** – 24 months from date of original purchase.
3. **Supertub** – Lifetime on stainless bowl, 5 years on single lever unit, 1 year on other components from date of original purchase.
4. **Ironing Centre** – 12 months from date of original purchase.
5. **Uniduct** – 12 months from date of original purchase. For commercial use 3 months from date of original purchase.
6. This warranty is limited to the repair or replacement free of charge within the warranty period of any component part which Robinhood at its discretion determines to be faulty. Such warranty is subject to terms and conditions set out below.
7. The warranty applies within New Zealand.
8. The customer must produce the original invoice or other purchase documentation as proof of the purchase date.
9. To abide by the guarantee please complete the details below and keep it with your purchase invoices.
10. In the event that service is required, contact the source from whom the product was purchased. It will be the responsibility of that sales agent to direct the purchaser to an authorised service centre or replace the defective parts. All costs of labour performed outside an authorised Service Centre will not be the responsibility of Robinhood. Alternatively contact Robinhood.

Warranty exclusions

1. The warranty does not apply for the following:

If defect is caused by misuse, wear and tear, dirt, fire or accidental damage.

If the product has been repaired or serviced by an unauthorised person.

If installed contrary to Robinhood instructions.

Products purchased overseas or not designed for use in New Zealand.

Normal user adjustments or customer instruction on the product's operation.

Abnormal product performance as a result of incorrect installation or deviation from specified instructions.

All costs incurred on installation or removal.

If the product is used outdoors.

2. A charge shall be made if the service person finds the product is functioning correctly.
3. Paint finishes and the colours in plastics are fully covered by this warranty for 12 months from date of purchase.

Should service be required please contact the store where you purchased your Robinhood product. If you require any further advice or information on Robinhood product feel free to contact:

Robinhood

Free Phone: 0800 760 667

Free Fax: 0800 276 246

Email: enquiries@robinhood.co.nz

Website: www.robinhood.co.nz

Name of purchaser			
Address			
Date of purchase	Model number	Serial No/Date stamp	
Name of supplier			
Address			
Invoice number			

Complete these details and keep it with your purchase invoice.

DO NOT POST

Warranty Certificate (Australia)

The benefits conferred hereunder are in addition to all other rights and remedies in respect of the product which the purchaser has by virtue of the Trade Practices Act 1974 and similar State and Territory legislation and nothing contained in this Certificate shall in any way limit the purchaser's rights under such legislation.

Terms and Conditions

The following conditions apply in respect of the warranty given in this certificate:

1. Robinhood warrants this product against manufacturing defects and faulty materials for a period of:
2. **Rangehood** – 24 months from date of original purchase.
3. **Supertub** – Lifetime on stainless bowl, 5 years on single lever unit, 1 year on other components from date of original purchase.
4. **Ironing Centre** – 12 months from date of original purchase.
5. **Uniduct** – 12 months from date of original purchase. For commercial use 3 months from date of original purchase.
6. This warranty is limited to the repair or replacement free of charge within the warranty period of any component part which Robinhood at its discretion determines to be faulty. Such warranty is subject to terms and conditions set out below.
7. The warranty applies within the Commonwealth of Australia.
8. The customer must produce the original invoice or other purchase documentation as proof of the purchase date.
9. To abide by the guarantee please complete the details below and keep it with your purchase invoices.
10. In the event that service is required, contact the source from whom the product was purchased. It will be the responsibility of that sales agent to direct the purchaser to an authorised service centre or replace the defective parts. All costs of labour performed outside an authorised Service Centre will not be the responsibility of Robinhood. Alternatively contact Robinhood or your nearest Service Agent as listed below.

Warranty exclusions

1. The warranty does not apply for the following:
 - If defect is caused by misuse, wear and tear, dirt, fire or accidental damage.
 - If the product has been repaired or serviced by an unauthorised person.
 - If installed contrary to Robinhood instructions.
 - Products purchased overseas or not designed for use in New Zealand.
 - Normal user adjustments or customer instruction on the product's operation.
 - Abnormal product performance as a result of incorrect installation or deviation from specified instructions.
 - All costs incurred on installation or removal.
 - If the product is used outdoors.
2. For warranty service outside of Capital City metropolitan area or 30 km from nearest authorised service agent the purchaser shall be liable for travelling expenses and cost of transport of the product or parts to and from the Service Agent
3. Paint finishes and the colours in plastics are fully covered by this warranty for 12 months from date of purchase.
4. A charge shall be made if the service person finds the product is functioning correctly.

Should service be required please contact the store where you purchased your Robinhood product. If you require any further advice or information on Robinhood product feel free to contact:

Robinhood

Free Phone: 1800 648 556
 Free Fax: 1800 628 577
 Email: enquiries@robinhood.com.au
 Website: www.robinhood.com.au

Area	Service agents	Contact details
Victoria	J.A. Appliances	Tel: (03) 8371 9100 Fax: (03) 9355 8644 Email: jaappliances@statewideservices.com.au
New South Wales (Sydney, North Coast)	All General White Goods Services	Tel: (02) 8788 8666 Fax: (02) 9756 1091 Email: service@agw.com.au
New South Wales (Country, Wagga Wagga)	K J Wardens	Tel: (02) 6922 8600 Fax: (02)6922 8611
ACT	K J Wardens	Tel: (02) 6280 5736 Fax: (02) 6280 5376
Tasmania	BSH Electrical Pty Ltd	Tel: (03) 6231 0255 Fax: (03) 6334 1044
South Australia	Iverson's Electrical	Tel: (08) 8297 2033 Fax: (08) 8297 7881
Western Australia	J.H. Wilberforce	Tel: (08) 9340 6222 Fax: (08) 9340 6262
Queensland	Terry Hayes Agencies	Tel: 1800 6485561 Fax: (07) 3262 1217 Email: info@terryhayesagencies.com

Name of purchaser			
Address			
Date of purchase	Model number	Serial No/Date stamp	
Name of supplier			
Address			
Invoice number			

Complete these details and keep it with your purchase invoice.

DO NOT POST

New Zealand

Robinhood Ltd
 Telephone: 0800 760 667
 Facsimile: 0800 276 246
 Email: enquiries@robinhood.co.nz
 www.robinhood.co.nz

Australia

Robinhood PTY Ltd
 Telephone: 1800 648 556
 Facsimile: 1800 628 577
 Email: enquiries@robinhood.com.au
 www.robinhood.com.au

