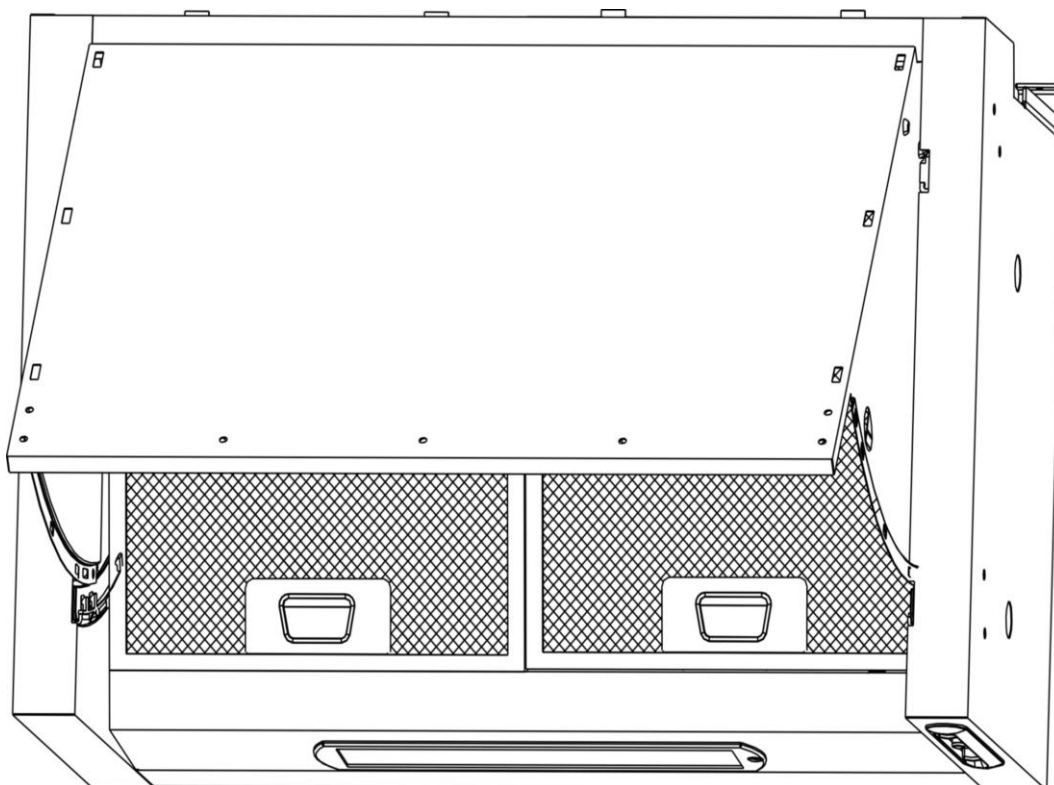
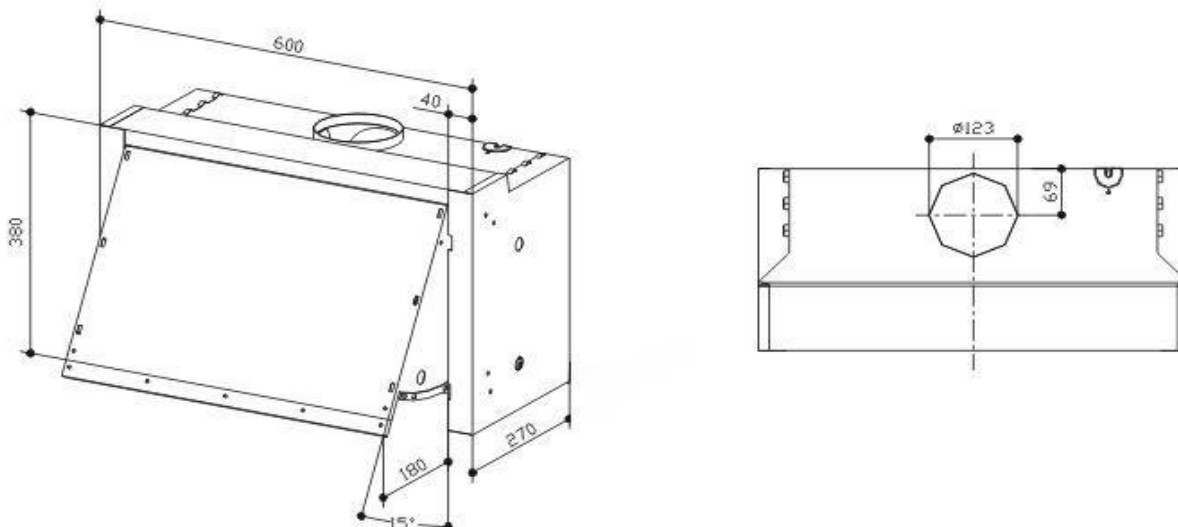


Description: **ROBINHOOD FILTERHOOD RANGEHOOD**  
Model Numbers: **RTA3CI6WH**



Model pictured: **RTA3CI6WH**

## Overview



- All dimensions in mm
- Actual width of unit is 598mm
- Model may vary slightly from images pictured
- Ducting outlet suitable for 125mm Ducting

## Pre-installation

Thank you for purchasing a quality Robinhood rangehood. Robinhood has a high standard of quality control and every rangehood is tested and approved before it leaves the factory.

### Important:

- Please read the entire instructions before installing the rangehood.
- Always switch power off prior to installation.
- Stainless steel is very easily damaged during installation if abraded or knocked by tools. Protect the rangehood with the cardboard box or plastic bag during installation.
- All electrical work must be done in accordance with local and national electrical codes as applicable.
- For safety, this product must be earthed.
- A power outlet should be within 1500mm of the power cord exit from the rangehood.
- The power socket must be accessible and enable the end user to isolate the rangehood from the power for the purpose of internal cleaning or maintenance.
- All ducting accessories are not supplied and all ducting must comply with local requirements and building codes.
- See Ducting options next page.

### Contents of packaging:

- 1 x Tilterhood rangehood
- 1 x Installation and Operating Instructions
- 1 x packet of fasteners and wall plugs

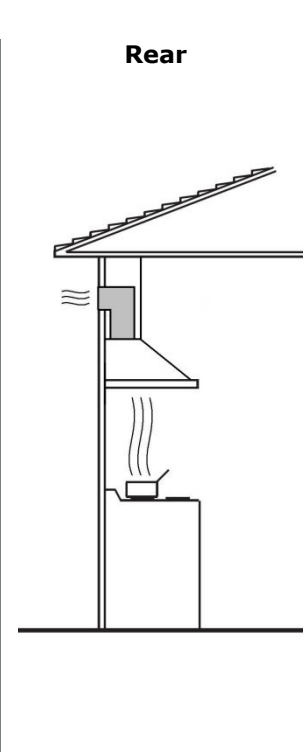
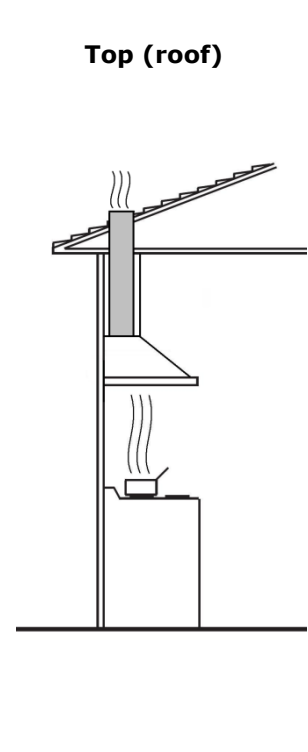
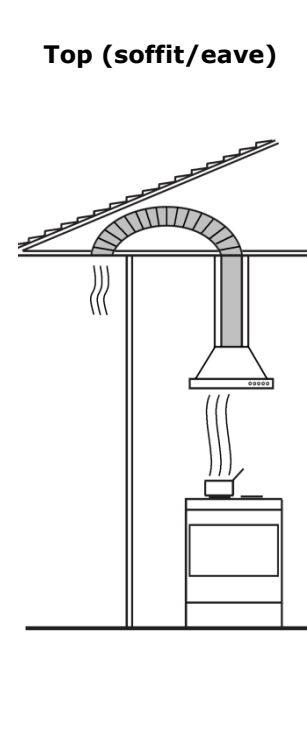
### Typical equipment required:

- electric drill
- screwdriver
- tape measure
- spirit level
- duct tape (*if ducting*)
- jig saw (*if ducting*)
- ladder (*if ducting*)

## Ducting Options

The method of ducting should be carefully considered before installing the rangehood. The guide below recommends the ducting components to use for all common ducting configurations - through the top of the home (for the roof and soffit) and through the rear of the home.

150mm round ducting should be used in conjunction with this model rangehood. Alternatively this rangehood can be operated in recirculation mode (see Recirculation mode Pg.5).

	Duct mounting option		
	Rear	Top (roof)	Top (soffit/eave)
			
	Uniduct item numbers		
Uniduct Kit	UTWSR150	UHRS150	USSR150

**It is recommended that Ø150mm ducting is to be used, however a reducer from Ø150mm to Ø125mm is included with the rangehood should Ø125mm ducting be required.**

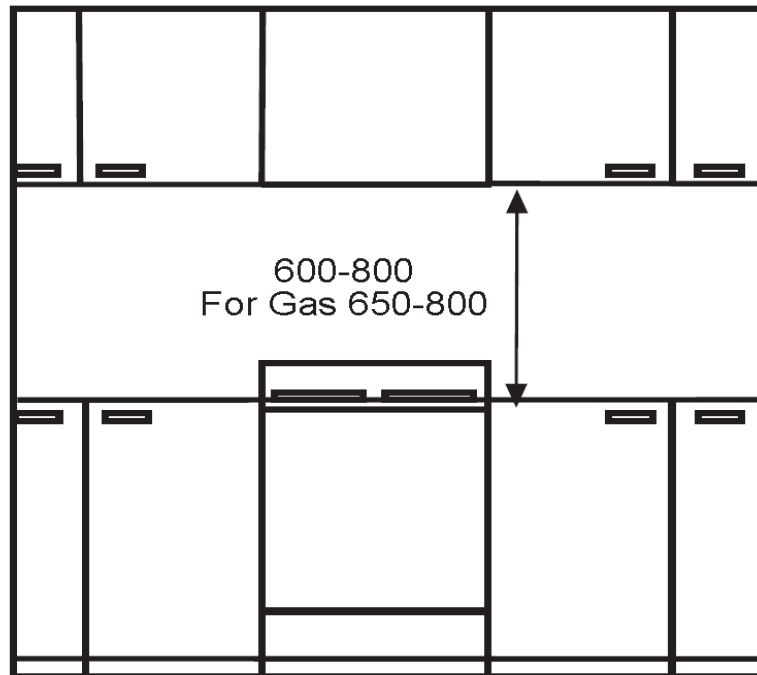
Extra lengths and/or bends may be required, depending on the length required and whether there is any structural material in the run e.g. rafters. For best performance the maximum distance between coupling and discharge outlet should not exceed 3 metres, with one 90 degree bend.

Some authorities require rangehoods to be vented outside. Ducted models should comply with this requirement in every respect.

Please note that this chart is designed as a guide. Please consult Robinhood customer services if unsure. For NZ phone 0800 760 667 or [www.robinhood.co.nz](http://www.robinhood.co.nz). For AUS phone 1800 648 556 or [www.robinhood.com.au](http://www.robinhood.com.au).

### Installation position

When installing the rangehood, the lower edge of the unit must be a minimum of 600mm (650mm for gas cooker) above the cooking range. The recommended position for the hood is 650mm above the hotplates.



Pictured: Minimum height from the hob surface to the underside face of the rangehood is:  
600mm for electric hob, 650mm for gas hob

Notes: If the instructions for the gas hob specify a greater distance, this has to be taken into account.  
Any installation above 800mm will compromise performance.

# Installation

## Mounting the Rangehood

### IMPORTANT:

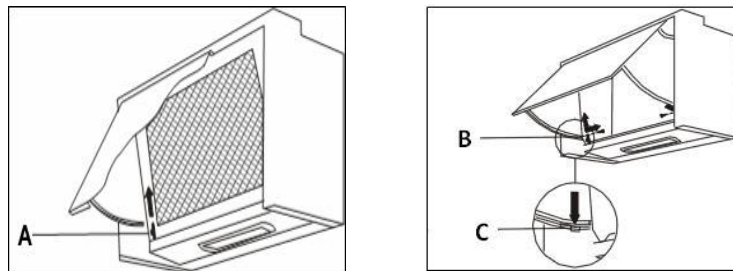
**YOU WILL HAVE TO DECIDE BEFORE INSTALLING YOUR RANGEHOOD WHETHER TO USE IT IN EXTRACTION MODE OR RECIRCULATION MODE.**

- We recommend that at least two people install this hood.
- Your rangehood should only be fitted to a wall and secured between two cupboards.

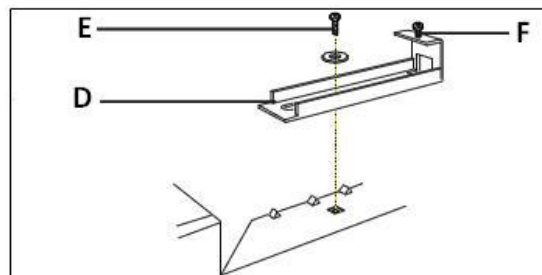
### IMPORTANT:

**YOUR RANGEHOOD SHOULD NOT BE CONNECTED TO YOUR MAINS SUPPLY UNTIL THE INSTALLATION PROCESS HAS BEEN COMPLETED.**

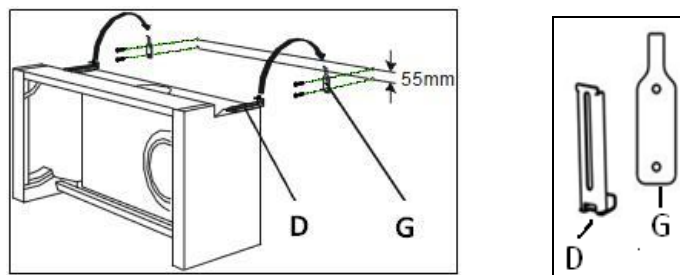
1. Open the front panel and push the two catches **(A)** upwards, then remove the Aluminium filter.



2. Whilst the front panel is still open, remove the two screws **(B)** and then press the tab **(C)** down and remove the front panel from its guide rails.



3. Secure the extractor mounting brackets **(D)** onto the top of the hood, using the screws and washers **(E)** supplied. Check that the adjustment screw **(F)** is fitted.



4. Measure a distance of 1050 mm between the highest point on the hob top and the wall that you will be fixing the hood to. You should also measure and record the distance between the top of the extractor mounting brackets **(D)**.

- Using a pencil, mark this height and then attach the two mounting brackets **(G)** to the wall at this height, using the screws provided. They should be positioned the same distance apart as the extractor mounting brackets **(D)**.

**IMPORTANT:** These screws must be securely tightened.

- Hook the extractor mounting brackets **(D)** that you fixed to the rangehood in step 3, onto the mounting brackets **(G)**.

5. Some adjustment is provided within the extractor mounting brackets.

- Use screw **(E)** to adjust the front to back alignment of the rangehood.
- Use screw **(F)** to adjust the height alignment of the rangehood.

Once you have finished adjusting the position of the rangehood, **fully tighten all of the screws.**

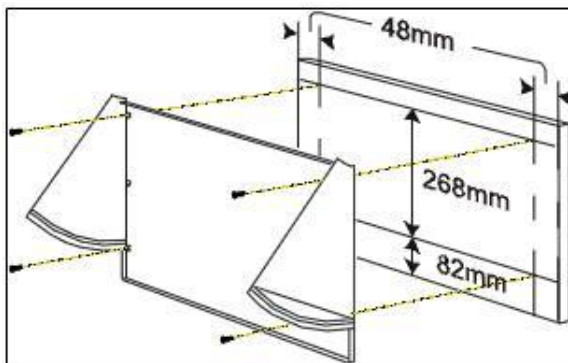
6. If there is a gap between the rear of the rangehood and the rear wall, if you wish you can install a spacer. Cut the spacer to the size of the gap and attached to the rear of the wall (spacer not provided).

**7. IMPORTANT:**

**The rangehood must now be fixed to the adjacent cabinets, using the screws provided.**

**You should screw through the holes in the side of the rangehood, into the adjacent cabinets.**

**THESE SCREWS MUST BE FULLY TIGHTENED.**



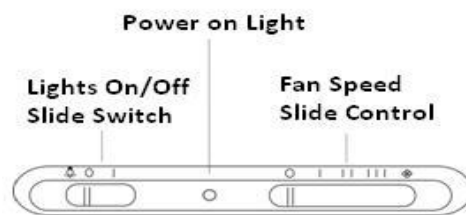
8. Place the front panel against the furniture door. Using the screws provided, secure the front panel of the rangehood to the inner surface of the furniture door.

Make sure that these screws are fully tightened.

Reattach the front panel to the front of the rangehood.

## Operating instructions

### Controls



### Light

The light can be operated independently by sliding the light switch on/off despite the working status of the fan. Please refer to the icon on switch panel.

### Fan

The fan is operated by sliding the power switch on. It can be run at three different speeds (Speed 1 / Speed 2 / Speed 3) depending on the cooking requirements. Please refer to the icons on switch panel.

## Cleaning and maintenance

### General Maintenance

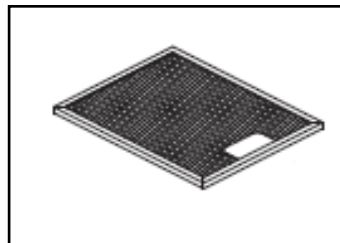
**Switch off the rangehood before cleaning or maintenance.** To prevent surface damage never use abrasive or oil based liquid cleaners. To clean the surfaces of the appliance, use mild detergent and warm water. In areas of high humidity and coastal environments cleaning should be carried out frequently.

**Warning: a build up of oil may occur if the rangehood is not cleaned regularly.**

### Filter Maintenance

To maintain efficiency, the filters should be removed regularly (approximately monthly), and washed using hot soapy water or the dishwasher.

- To remove the aluminium Filters open the front cover and remove the filters by lifting the filter handles and then pull the filters upwards away from the main body of the Tilterhood.
- To refit the aluminium filters ensure that they have dried, reverse the order followed to remove and then close the front cover.



**Note: some discolouration of the frame may occur if washed in the dishwasher.**

## Cleaning and maintenance

### Charcoal Filters

Rangehoods fitted with charcoal filters are designed to remove grease and odours from cooking vapours prior to the cleansed air re-entering the kitchen (necessary when the rangehood is in recirculation mode).

Charcoal filters should be replaced every two to four months depending on use or if any visible signs of damage.

Note: Fully saturated charcoal filters can become a barrier to air movement therefore limiting rangehood performance. In the event of fire, grease laden filters could be flammable and therefore regular replacement is recommended. In ducted installations, conventional aluminium filters are recommended.

### Fitting the Charcoal Filters

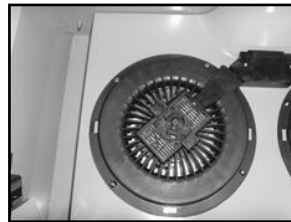
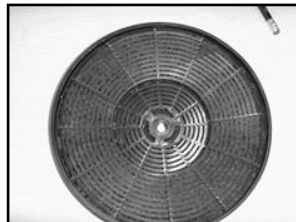
**IMPORTANT:**  
**BEFORE ATTEMPTING TO FIT OR REMOVE THE CHARCOAL FILTERS, YOU MUST ENSURE THAT YOU HAVE DISCONNECTED THE TILTERHOOD FROM YOUR MAINS SUPPLY.**

Remove the aluminium filters by opening the front cover and removing the filters by lifting the filter handles and then pull the filters upwards away from the main body of the rangehood.

If you are replacing the existing charcoal filters, then you need to remove them by twisting the filters anti-clockwise.

To fit the new charcoal filter, hook the filter over the central fixing ring on the motor and turn the filter clockwise until you feel it click into place and repeat this process for the second filter.

Then refit the aluminium filters in the reverse the order followed in removing and then close the front cover.



### Replacement of Incandescent bulbs

To replace a bulb, first disconnect the rangehood from the power supply. Open the front cover and remove the aluminium filters. The bulbs are located within the hood body and are a screw-in type, unscrew the bulb and screw in the replacement bulb into the lamp socket and replace the aluminium filters.

### Parts and Accessories list

- Charcoal filter 2618
- Incandescent bulb E14 230-240V 40W 110023

Please call the Robinhood Customer Service Centre if you have any questions, on NZ 0800 760 667 or AUS 1800 648 556



## Product approvals and ratings

<b>Product approval number</b>	<b>SAA100363EA</b>
<b>Product rating</b>	<b>320W 220-240V 50Hz</b>
<b>Electric approval AS/NZS</b>	<b>AS/NZS 60335.2.31.2004</b>
<b>EMC AS/NZS</b>	<b>EN55014-1:2006, EN61000-3-2:2006</b>
<b>Performance tested</b>	<b>IEC61591</b>

## Important safety information

- This appliance is not intended for use by persons (including children) with reduced physical, sensory or mental capabilities, or lack of experience and knowledge, unless they have been given supervision or instruction concerning use of the appliance by a person responsible for their safety.
- Young children should be supervised to ensure that they do not play with the appliance.
- There shall be adequate ventilation of the room when the rangehood is used at the same time as appliances burning gas or other fuels.
- You must read the details concerning the method and frequency of cleaning.
- There is a fire risk if cleaning is not carried out in accordance with the instructions.
- Do not flambé under the Rangehood.
- Exhaust air must not be discharged into an existing flue which is used for exhausting fumes from appliances burning gas or other fuels.
- The minimum distance between the hob surface and the lowest part of the rangehood is 600mm. This distance shall be at least 650mm, if the rangehood is installed over a gas hob. If the instructions for the gas hob specify a greater distance, this has to be taken into account.
- Attention should be given to ensure that any applicable regulations concerning the discharge of exhaust air is fulfilled.
- If the supply cord of this equipment is damaged, it must only be replaced by the manufacturer or its service agent or a similarly qualified person in order to avoid a hazard.

## Warranty Certificate (New Zealand)

### Terms and Conditions

The following conditions apply in respect of the warranty given in this certificate:

1. Parbury Pty Limited ("Parbury") warrants the following Robinhood products against manufacturing defects and faulty materials, under normal use and subject to the exclusions in this certificate, for a period of:  
**Uniduct** – 12 months from date of original purchase for domestic use.  
**Supertub** - 5 years on stainless bowl, 24 months on Tap, Cabinet and other components from the date of original purchase for domestic use.  
**Ironing centre** – 12 months from date of original purchase for domestic use.  
**Waste disposal** – 24 months from date of original purchase for domestic use.  
"Original purchase", when used in this certificate, means purchase by the customer directly from Parbury or one of its approved suppliers.
2. This warranty is limited to the repair or replacement, at our option, within the warranty period of any component part which we at our discretion determines to contain faulty materials or a manufacturing defect in breach of this warranty. This warranty is subject to terms and conditions set out in this certificate.
3. The warranty only applies within New Zealand.
4. The customer must produce the original invoice or other purchase documentation as proof of the original purchase date.

### Warranty exclusions

1. The warranty does not apply where, in Parbury's opinion:  
The defect is caused by misuse, wear and tear, dirt, fire or accidental damage.  
The product has been repaired or serviced by an unauthorised person.  
The product was not installed in accordance with our instructions.  
The product was purchased overseas or was not designed for use in New Zealand.  
The product was not used, cleaned or cared for in accordance with our instructions.  
The product was used outdoors.  
All Robinhood rangehoods are suitable for indoor use only, and not suitable over BBQs or charcoal cookers designed for outdoor use.
2. In addition, this warranty does not extend to damage or defects which in our opinion, directly or indirectly arise from or Exposing the product to acidic or corrosive materials or chemicals such as dyes, solvents, denture cleaner or acetone; Using inappropriate household cleaning products such as abrasive cream or powder cleansers, furniture polish, bleach, methylated spirits, drain cleaners, sugar soap, metal pads and strongly alkaline or acidic cleaners; Heat damage, including from washing the product at high temperatures; Impact or mishandling the product, including the impact caused by objects scraped along, thrown or dropped on the surface or excessive weight being placed on the product; Structural or support changes in or affecting the building or the application where the product has been installed; Failure to clean or maintain the product as recommended; or Any other causes specified in the product information as being excluded from this warranty.
3. Variations with the colour or gloss within the product or any ageing or fading of colour, shine or gloss level over time are not covered by this warranty. The warranty does not cover visual imperfections or blemishes in the surface and edges of product that were not brought to your supplier's attention at the time you inspected the product.
4. Costs incurred on installation or removal of a product, or any reinstallation of a product, or any associated costs, are not covered by this warranty.
5. Parbury will not be liable for consequential or indirect loss or damage whatsoever and however arising out of or in with the supply, performance or removal of the product, including (but not limited to) loss of profit, loss of revenue, loss of contract, loss of goodwill or increased cost of workings, even if due to the negligence of Parbury or any of its approved suppliers, employees or agents.
6. Charcoal filters and light bulbs are not covered by this warranty
7. This warranty and the statements contained in this certificate or other documents given to you do not exclude, restrict or modify the application of any term implied into this warranty by statute, provided that (to the extent any statutory permits Parbury to limit its liability for a breach of an implied condition or warranty) Parbury's liability for such breach is to the payment of the cost of replacing the product, repairing the product or acquiring an equivalent product.
8. Subject to clause 5, our obligations under this warranty are limited to those set out in this certificate, and this warranty is expressly instead of all other warranties, express or implied, including any implied warranty of merchantability or fitness particular purpose and notwithstanding any course of dealing between the parties or custom and usage in trade to the contrary.

Should warranty service be required, please contact us:

Free Phone: 0800 760 667

Free Fax: 0800 276 246

Email: [enquiries@robinhood.co.nz](mailto:enquiries@robinhood.co.nz)

Website: [www.robinhood.co.nz](http://www.robinhood.co.nz)

Terms and conditions are subject to change without notice

ISO 9001/2000 CERTIFICATION

### New Zealand

Parbury Building Products (NZ)

Telephone: 0800 760 667

Facsimile: 0800 276 246

Email: [enquiries@robinhood.co.nz](mailto:enquiries@robinhood.co.nz)

[www.robinhood.co.nz](http://www.robinhood.co.nz)

