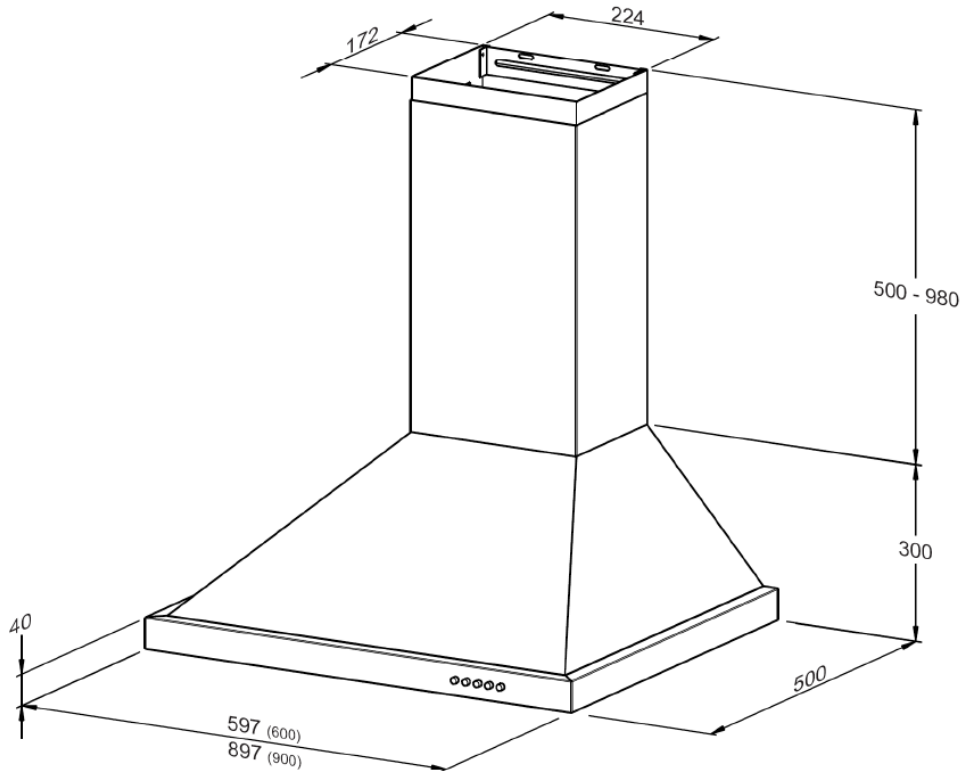


Description: **ROBINHOOD WALL CANOPY**  
 Model Number: **RWC3CL6SS, RWC3CL9SS, RWC3CL6WHT, RWC3CL9WH**

## Typical design



## Features and benefits

- High performance extraction fan**  
 High performance extraction fan rapidly removes steam, smoke and cooking smells from your kitchen. Three-speed switch lets you select the fan strength you need – half strength for steamed vegetables; full strength for stir fries.
- LED Lamps**  
 2x 3 watt LED lamps (GU10 Bulbs) efficiently illuminate the entire cooking surface. Lamps are quick and easy to replace, and readily available from hardware stores.
- Multi-layered micromesh filters**  
 Multi-layered micromesh filters effectively trap grease. They're simple to remove and are easily maintained with a regular clean in the dishwasher.
- Rectilinear design**  
 Simple styling makes cleaning easy. High quality stainless steel and the fingertip controls are easy to clean with a damp cloth.
- Thermal overload switch**  
 Thermal overload function that senses extreme heat and disconnects power to the motor temporarily. If you have a cooking disaster, and something catches fire, the rangehood automatically switches off to prevent flames and sparks being sucked into the ducting or ceiling.
- Recirculation option**  
 In situations where ducting isn't possible, your rangehood can be fitted with charcoal filters that effectively cleanse the air before returning it to the kitchen.

## Specifications

### Technical data:

- 3 speed centrifugal motor
- 2 x 3 Watt LED lamps (GU10 Bulb)
- Gauge of steel (RWC3CL6SS, RWC3CL9SS): 0.6 mm
- Type of steel (RWC3CL6SS, RWC3CL9SS): 430 stainless steel
- Finish of steel (RWC3CL6SS, RWC3CL9SS): brush number 4
- Gauge of steel (RWC3CL6WHT, RWC3CL9WH): 0.6 mm
- Type of steel (RWC3CL6WHT, RWC3CL9WH): panel steel
- Finish of steel (RWC3CL6WHT, RWC3CL9WH): powder coat appliance white
- 240 Volt. 50 Hertz. 280 Watt Max.
- Tested to EMC AS/NZS – CISPR14:2001
- Electrical approval: AS/NZS 3350.2.31.2001
- Performance tested to IEC61591 (replaces AS2682-1984)
- Filter specifications: three layered micro mesh
- Length of power cord: 1500mm
- Ducting outlet: 150mm diameter round outlet – top ducting
- Recirculation option through top duct outlet

**Gross weight:** RWC3CL6SS/WHT 12.2kg. RWC3CL9SS/9WH 15.4kg

**Carton volume:** 0.139m<sup>3</sup> (600 model), 0.194m<sup>3</sup> (900 model)

**Carton dimensions :** 650 x 370 x 550mm (600 model), 955 x 370 x 550mm (900 model)

**Rangehood dimensions:** 597 x 500 x 300mm (600 model), 897 x 500 x 300mm (900 model)

### Performance data:

○ RWC3CL6SS/WHT

○ RWC3CL9SS/WH

Fan speed 1	460m <sup>3</sup> /hr	Fan speed 1	460m <sup>3</sup> /hr
Fan speed 2	560m <sup>3</sup> /hr	Fan speed 2	560m <sup>3</sup> /hr
Fan speed 3	650m <sup>3</sup> /hr	Fan speed 3	650m <sup>3</sup> /hr
Noise speed 1	60.6dB	Noise speed 1	60.6dB
Noise speed 2	65.0dB	Noise speed 2	65.0dB
Noise speed 3	68.0dB	Noise speed 3	68.0dB

#### New Zealand

Monaco Corporation Ltd  
Telephone: (09) 415 6000  
Facsimile: (09) 415 7400  
Email: [enquiries@robinhood.co.nz](mailto:enquiries@robinhood.co.nz)  
[www.robinhood.co.nz](http://www.robinhood.co.nz)

#### Australia

Shiro Australia Pty Ltd  
ABN 28 002 386 129  
Telephone: 1800 648 556  
Facsimile: 1800 628 577  
Email: [enquiries@robinhood.com.au](mailto:enquiries@robinhood.com.au)  
[www.robinhood.com.au](http://www.robinhood.com.au)

