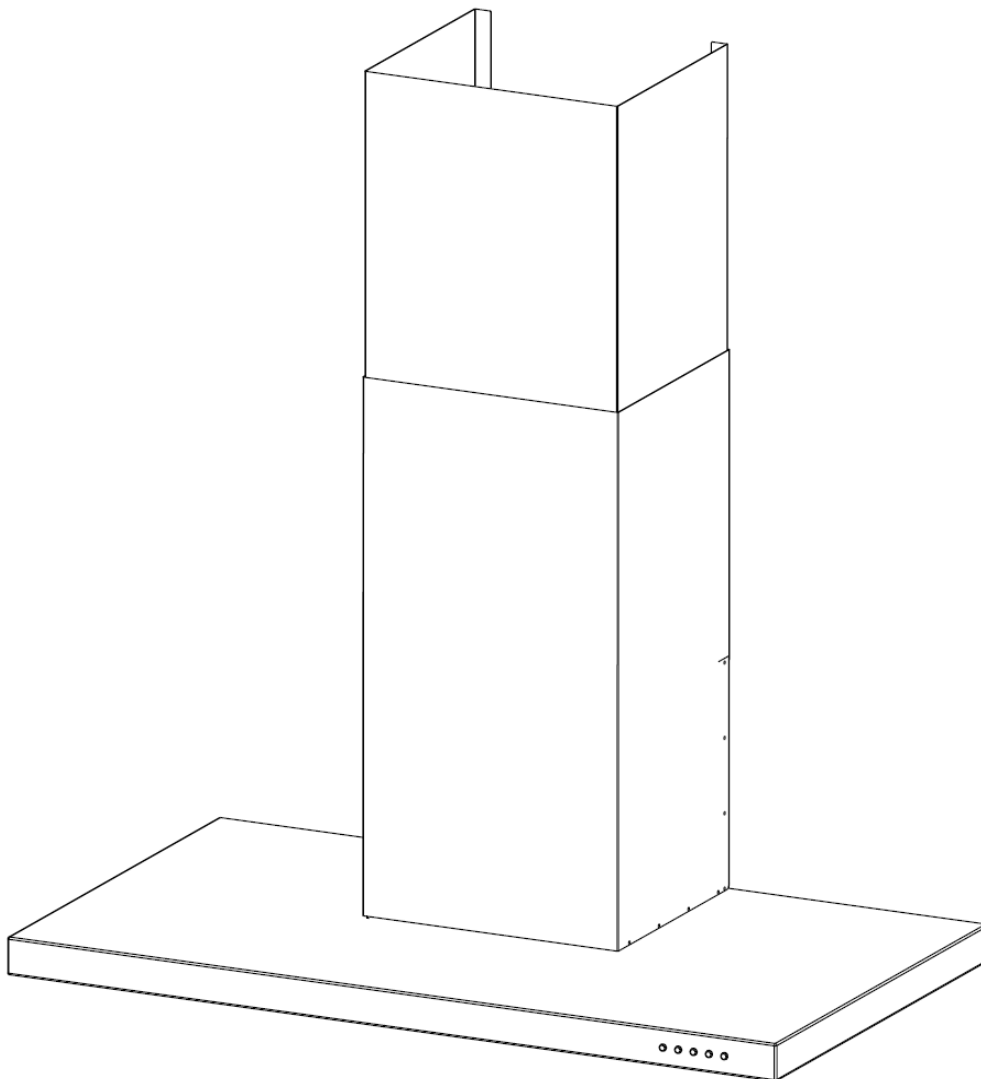
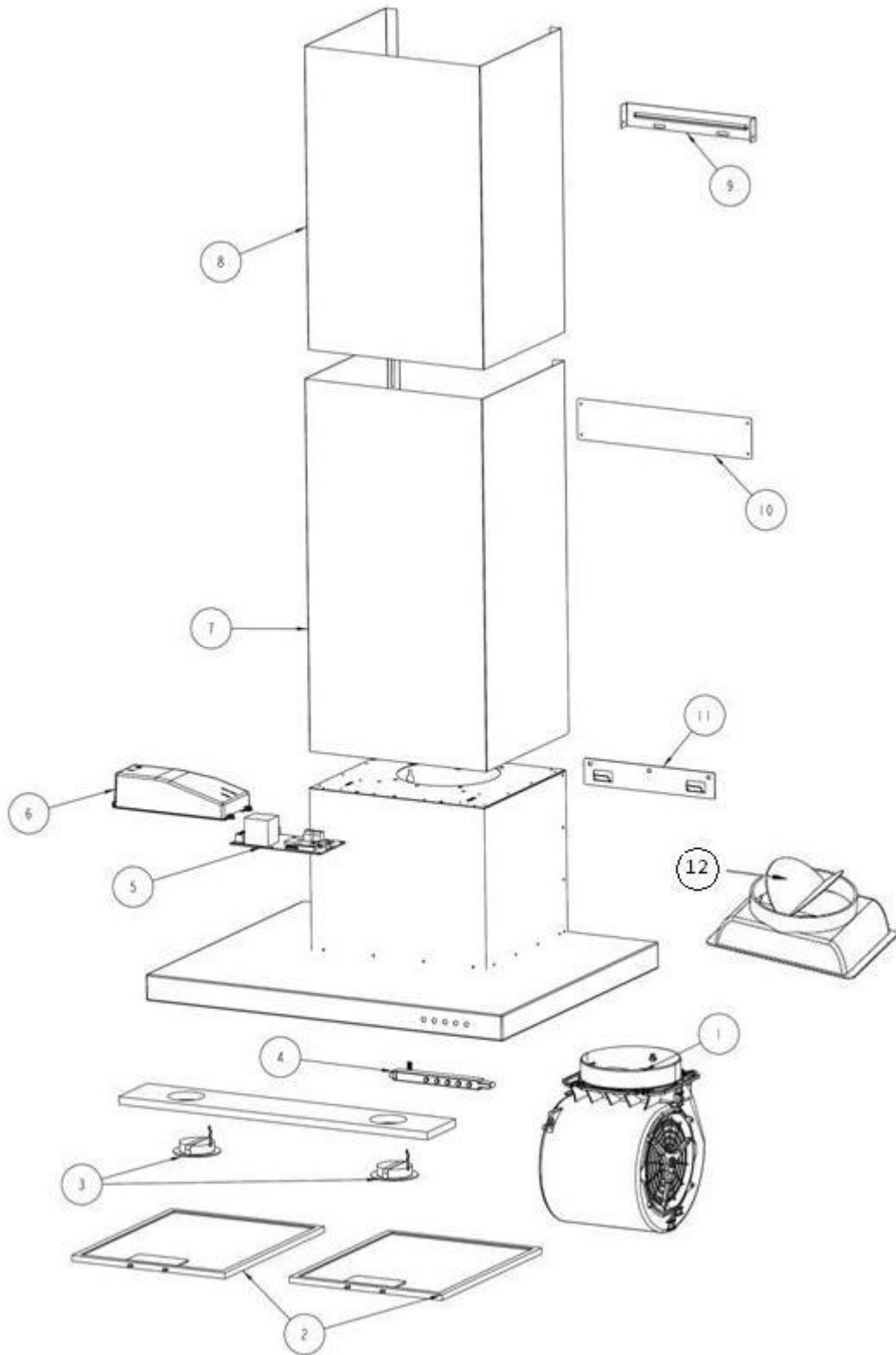


Description: **ROBINHOOD WALL CANOPY**  
Model Number: **RWE3CH6SS, RWE3CH9SS**



Models pictured: **RWE3CH9SS**

# Exploded view



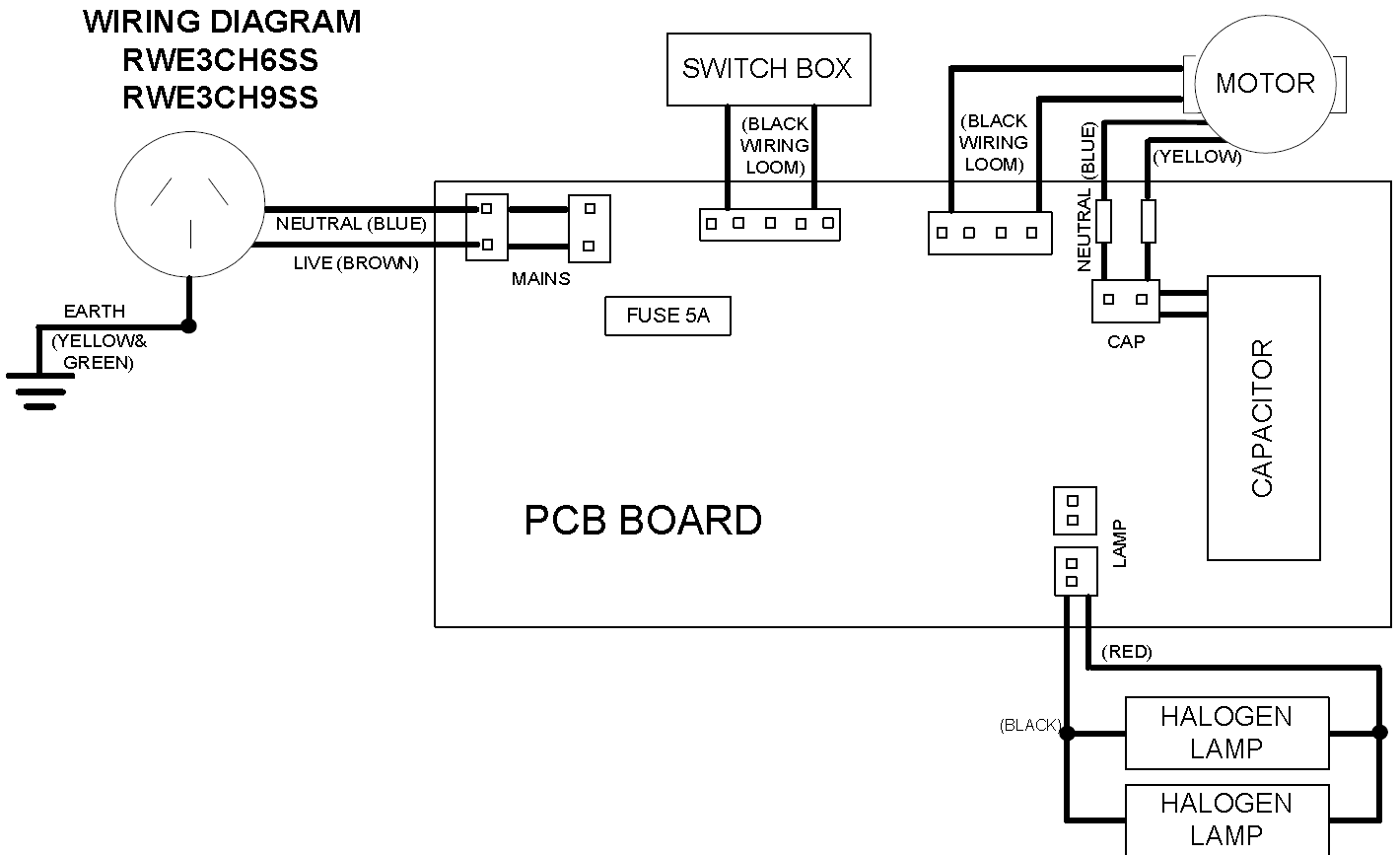
Model pictured: **RWE3CH9SS**

*Model & Parts may vary slightly from images pictured*

<b>Item</b>	<b>Description</b>	<b>Part Number</b>
<b>1</b>	3 speed motor 190w	115210
<b>2</b>	Standard Aluminium filter (600 model)	115207
	Standard Aluminium filter (900 model)	115214
	Charcoal filter pack of 2 (600 model)	2536
	Charcoal filter pack of 3 (900 model)	2537
<b>3</b>	Halogen lamp assembly	115205
<b>N/S</b>	Halogen bulb	104467
<b>4</b>	Switch box	115209
<b>5</b>	PCB board	115206
<b>6</b>	PCB cover	115208
<b>7</b>	Lower chimney piece	115252
<b>8</b>	Top chimney piece	115253
<b>9</b>	Top chimney bracket	115254
<b>10</b>	Lower chimney bracket	115255
<b>11</b>	Mounting bracket (within the Installation kit)	115256
<b>N/S</b>	10'/3048mm Chimney extension kit (all models)	2611
	12'/3658mm Chimney extension kit (all models)	2612
<b>12</b>	Ducting adapter	115218
<b>N/S</b>	Power cord	115200

**N/S = Not Shown**

# Wiring diagram



## New Zealand

Robinhood Ltd  
Telephone: 0800 760 667  
Facsimile: 0800 276 246  
Email: [enquiries@robinhood.co.nz](mailto:enquiries@robinhood.co.nz)  
[www.robinhood.co.nz](http://www.robinhood.co.nz)

## Australia

Robinhood PTY Ltd  
Telephone: 1800 648 556  
Facsimile: 1800 628 577  
Email: [enquiries@robinhood.com.au](mailto:enquiries@robinhood.com.au)  
[www.robinhood.com.au](http://www.robinhood.com.au)