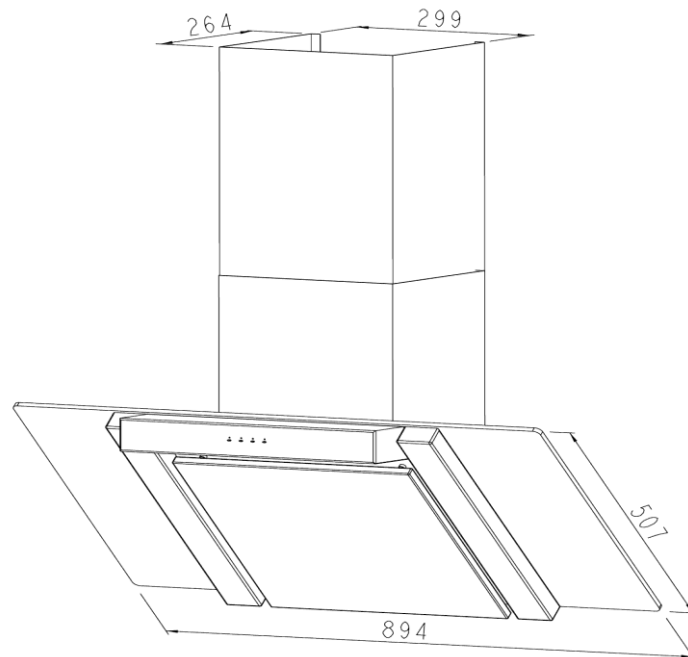


Description: **ROBINHOOD WALL CANOPY**  
Model Number: **RWF3CH9G**

## Typical design



RWF3CH9G

## Features and benefits

- **High performance extraction slot design**  
High performance air extraction slot shines above a conventional design. It adds a significant increase to the air extraction rate so it would make you feel the "wind" on your kitchen! With the help of a powerful 330Watt centrifuge motor, you can select 3 speeds to suit your cooking styles with full confidence
- **Modern design adds style to your kitchen**  
Precisely manufactured in stainless steel and glass, this unique canopy rangehood has been designed to provide years of tireless service. As a key feature in your kitchen, its clean lines are compatible with most modern styles of interior design.
- **Halogen lamps**  
2x20 watt halogen lamps illuminate the entire cooking surface. Lamps are quick and easy to replace.
- **Recirculation if you can't duct**  
In situations where ducting isn't possible, this rangehood can be fitted with charcoal filters that effectively cleanse the air before returning it to the kitchen.
- **Simplest grease catchments filter**  
Single four multi-layered micromesh filters effectively trap grease. Very simple to remove and only one filter makes it so easy to maintain with a regular clean in the dishwasher.
- **Turns off if the worst happens**  
Thermal overload function that senses extreme heat and disconnects power to the motor temporarily. If you have a cooking disaster and something catches fire, the rangehood automatically switches off to prevent flames and sparks being sucked into the ducting or ceiling.

## Specifications

### Technical data:

- 3 speed centrifugal motor: 330watts, Class F, 10uF/450V
- 2 x 20 Watt halogen lamps
- Maximum power consumption: 330 watts @ 240Volt, 50 Hz
- Gauge of steel: 0.7mm (body & frame); 0.5mm (chimney)
- Type of steel: 430 stainless steel
- Finish of steel: brush number 4
- Tested to EMC AS/NZS – CISPR14:2001
- Electrical approval AS/NZS 3350.2.31.2001
- Performance tested to IEC61591 (replaces AS2682-1984)
- Filter specifications: Multi-layered micro mesh
- Length of power cord: 1800mm
- Ducting outlet: 150mm diameter – top ducting
- Recirculation option through top duct outlet

**Gross weight:** 25.0kg.

**Carton Volume:** 0.312m<sup>3</sup>

**Carton dimensions:** 950 x 530 x 620mm.

**Canopy body dimensions:** 894 x 403 x 620mm.

### Performance data:

- RWF3CH9G

Fan speed 1	470m <sup>3</sup> /hr
Fan speed 2	690m <sup>3</sup> /hr
Fan speed 3	870m <sup>3</sup> /hr
Noise speed 1	56.3dB
Noise speed 2	65.3dB
Noise speed 3	70.4dB

#### New Zealand

Robinhood Ltd  
Telephone: 0800 760 667  
Facsimile: 0800 276 246  
Email: [enquiries@robinhood.co.nz](mailto:enquiries@robinhood.co.nz)  
[www.robinhood.co.nz](http://www.robinhood.co.nz)

#### Australia

Robinhood PTY Ltd  
Telephone: 1800 648 556  
Facsimile: 1800 628 577  
Email: [enquiries@robinhood.com.au](mailto:enquiries@robinhood.com.au)  
[www.robinhood.com.au](http://www.robinhood.com.au)

