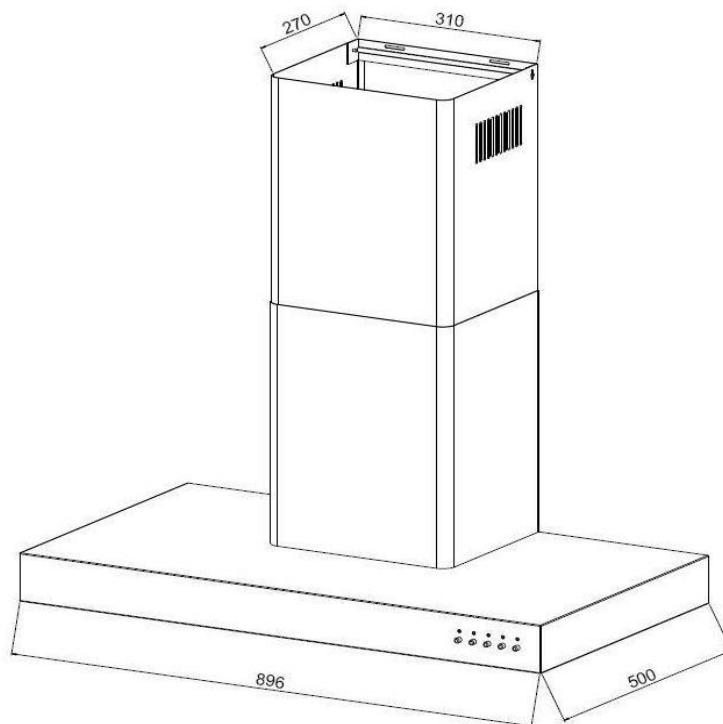


Description: **ROBINHOOD WALL CANOPY**
Model Number: **RWG3CH9SS**

Typical design



Features and benefits

○ High performance extraction fan

High performance extraction fan rapidly removes steam, smoke and cooking smells from your kitchen. Three-speed switch lets you select the fan strength you need – half strength for steamed vegetables; full strength for stir fries.

○ Halogen lamps

2x20 watt halogen lamps illuminate the entire cooking surface. Lamps are quick and easy to replace.

○ Multi-layered micromesh filters

Multi-layered micromesh filters effectively trap grease. They're simple to remove and are easily maintained with a regular clean in the dishwasher.

○ Rectilinear design

Simple styling makes cleaning easy. High quality stainless steel and the fingertip controls are easy to clean with a damp cloth.

○ Thermal overload switch

Thermal overload function that senses extreme heat and disconnects power to the motor temporarily. If you have a cooking disaster, and something catches fire, the rangehood automatically switches off to prevent flames and sparks being sucked into the ducting or ceiling.

○ Recirculation option

In situations where ducting isn't possible, your rangehood can be fitted with charcoal filters that effectively cleanse the air before returning it to the kitchen.

Specifications

Technical data:

- 3 speed centrifugal motor
- 2 x 20 Watt halogen lamps
- Maximum power consumption: 260 watts
- Gauge of steel: 0.6 mm
- Type of steel: 430 stainless steel
- Finish of steel : brush number 4
- 240 Volt. 50 Hertz. 260 Watt Max.
- Tested to EMC CISPR14:2001
- Electrical approval: AS/NZS 3350.2.31.2001
- Performance tested to IEC61591 (replaces AS2682-1984)
- Filter specifications: Three layered micro mesh
- Length of power cord: 1700mm
- Ducting outlet: 150mm diameter round outlet – top ducting
- Recirculation option through top duct outlet

Gross weight: 19.0kg.

Carton volume: 0.215m³

Carton dimensions: 955 x 405 x 555mm

Canopy body dimensions: 896 x 500 x 80mm

Chimney dimensions: 310 x 270 x 400mm for upper chimney
310 x 270 x 400mm for lower chimney

Performance data:

- RWG3CH9SS

Fan speed 1	465m ³ /hr
Fan speed 2	566m ³ /hr
Fan speed 3	655m ³ /hr
Noise speed 1	60.6dB
Noise speed 2	65.0dB
Noise speed 3	68.0dB

New Zealand

Robinhood Ltd
Telephone: 0800 760 667
Facsimile: 0800 276 246
Email: enquiries@robinhood.co.nz
www.robinhood.co.nz

Australia

Robinhood PTY Ltd
Telephone: 1800 648 556
Facsimile: 1800 628 577
Email: enquiries@robinhood.com.au
www.robinhood.com.au

