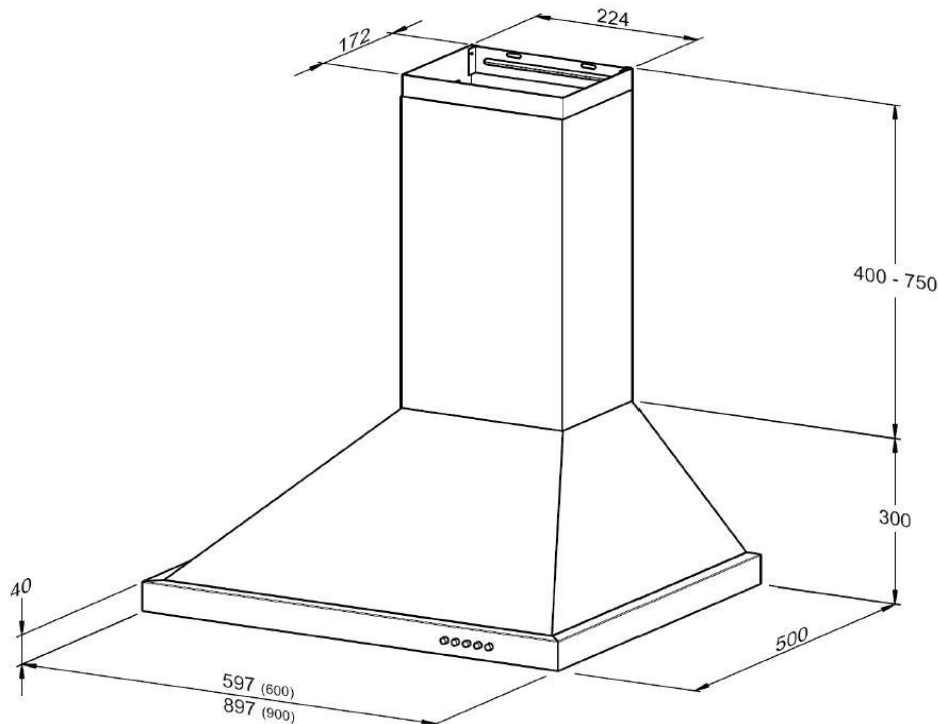


Description: **ROBINHOOD WALL CANOPY**
Model Number: **RWHE3CH6SS, RWH3CH9SS**

Typical design



Features and benefits

- High performance extraction fan**
 High performance extraction fan rapidly removes steam, smoke and cooking smells from your kitchen. Three-speed switch lets you select the fan strength you need – half strength for steamed vegetables; full strength for stir fries.
- Halogen lamps**
 2x20 watt halogen lamps illuminate the entire cooking surface. Lamps are quick and easy to replace.
- Multi-layered micromesh filters**
 Multi-layered micromesh filters effectively trap grease. They're simple to remove and are easily maintained with a regular clean in the dishwasher.
- Rectilinear design**
 Simple styling makes cleaning easy. High quality stainless steel and the fingertip controls are easy to clean with a damp cloth.
- Thermal overload switch**
 Thermal overload function that senses extreme heat and disconnects power to the motor temporarily. If you have a cooking disaster, and something catches fire, the rangehood automatically switches off to prevent flames and sparks being sucked into the ducting or ceiling.
- Recirculation option**
 In situations where ducting isn't possible, your rangehood can be fitted with charcoal filters that effectively cleanse the air before returning it to the kitchen.

Specifications

Technical data:

- 3 speed centrifugal motor: 330watts, Class F, 10uF/450V
- 2 x 20 Watt halogen lamps
- Maximum power consumption: 370 watts
- Gauge of steel: 0.6 mm
- Type of steel: 430 stainless steel
- Finish of steel : brush number 4
- 240 Volt. 50 Hertz. 370 Watt Max.
- Tested to EMC CISPR14:2001
- Electrical approval: AS/NZS 3350.2.31.2001
- Performance tested to IEC61591 (replaces AS2682-1984)
- Filter specifications: Three layered micro mesh
- Length of power cord: 1500mm
- Ducting outlet: 150mm diameter round outlet – top ducting
- Recirculation option through top duct outlet

Gross weight: RWH3CH6SS 12.2kg. RWH3CH9SS 15.4kg

Carton volume: 0.132m³ (600 model), 0.194m³ (900 model)

Carton dimensions : 650 x 370 x 550mm (600 model), 955 x 370 x 550mm (900 model)

Rangehood dimensions: 597 x 500 x 300mm (600 model), 897 x 500 x 300mm (900 model)

Performance data:

○ RWE3CH6SS

○ RWE3CH9SS

Fan speed 1	450m ³ /hr	Fan speed 1	450m ³ /hr
Fan speed 2	640m ³ /hr	Fan speed 2	640m ³ /hr
Fan speed 3	850m ³ /hr	Fan speed 3	850m ³ /hr
Noise speed 1	56.3dB	Noise speed 1	56.3dB
Noise speed 2	65.3dB	Noise speed 2	65.3dB
Noise speed 3	70.4dB	Noise speed 3	70.4dB

New Zealand

Robinhood Ltd
Telephone: 0800 760 667
Facsimile: 0800 276 246
Email: enquiries@robinhood.co.nz
www.robinhood.co.nz

Australia

Robinhood PTY Ltd
Telephone: 1800 648 556
Facsimile: 1800 628 577
Email: enquiries@robinhood.com.au
www.robinhood.com.au

