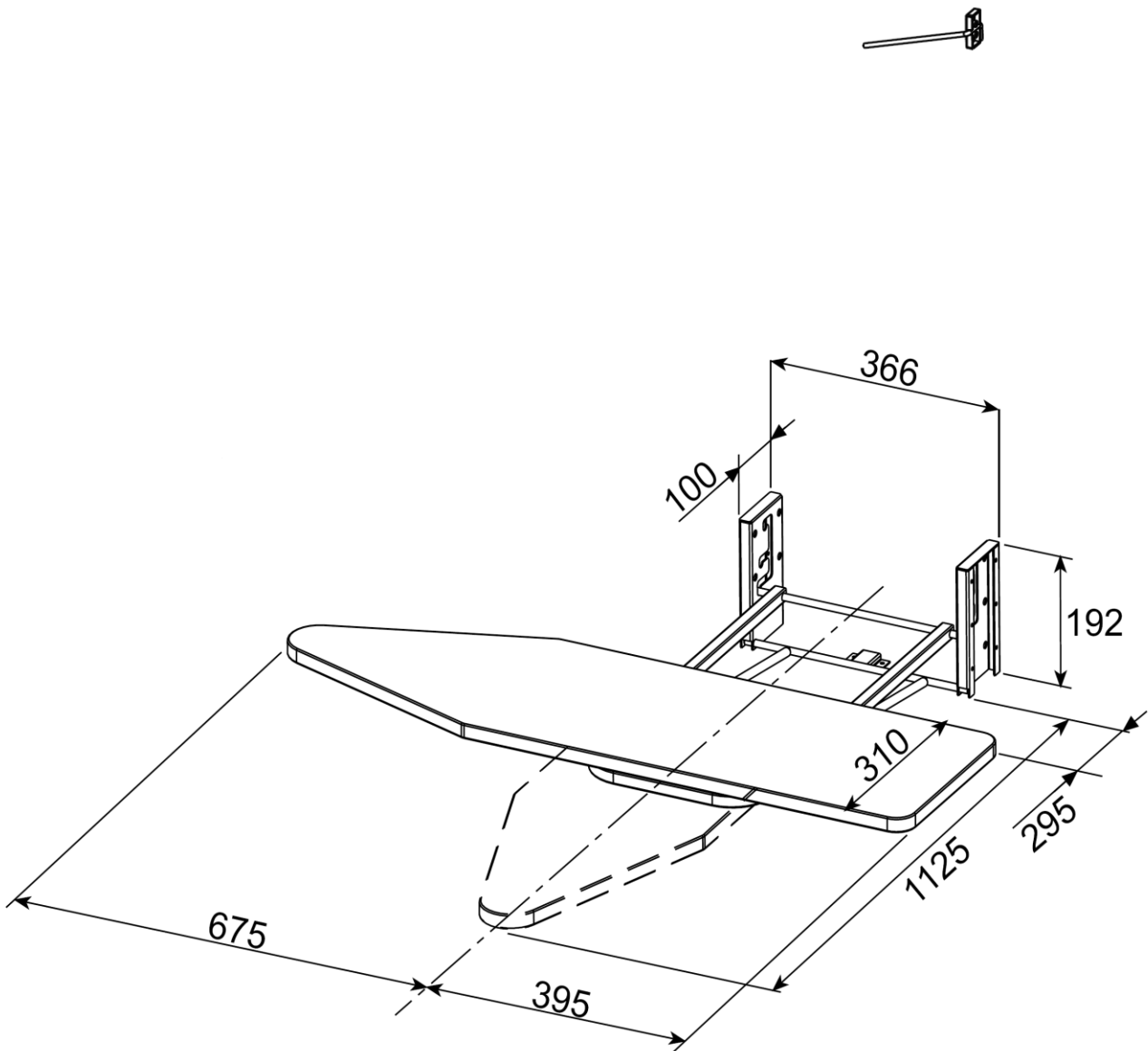
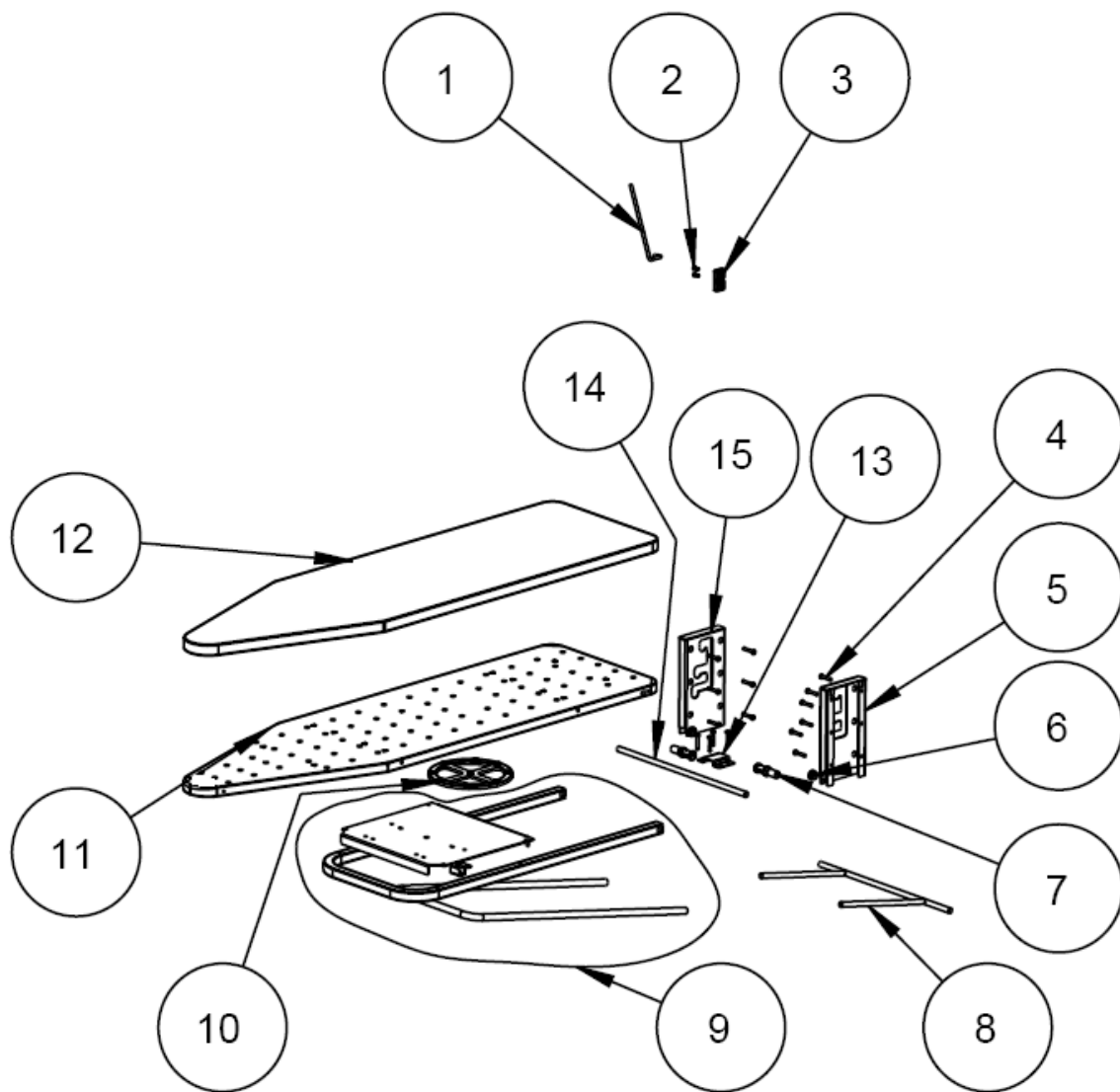


Description: **ROBINHOOD IRONING CENTRE KITSET**
Model Number: **ICKIT**





		Part number
Item	Description	
1	Board Retainer	107876WH
2	Screws - 6 X 3/4 PH ZP	*
3	Retainer Bracket Plastic	107789WH
4	Screws - 10 X 5/8 PAN POZI ZP	
5	Height Adjustment Bracket RH	107544WH
6	Bush	107845
7	Height Adjustment Bracket RH	107544WH
8	U Bar	107875WH
9	Rotational Bearing	107617
10	Swivel Assembly	107673
10	M8 Lock Nut	999133
10	5/16 X 3/4 Washer	999144
11	Ironing Board	107753WH
12	Board Cover	IBC01
13	Pivot Stop	107873WH
14	Pivot Rod	107855WH
15	Height Adjustment Bracket LH	107545WH
16	Installation Kit ICKIT	107925

Removing the ironing board

1. Remove the M8 nut under the ironing board.
2. Replace the ironing board.
3. Replace the flat washer and locknut; tighten to achieve correct locking when rotated.

Notes

ECN: 09 056

New Zealand
Parbury Building Products (NZ) Limited
Telephone: 0800 760 667
Facsimile: 0800 276 246
Email: enquiries@robinhood.co.nz
www.robinhood.co.nz

Australia
Parbury Pty Limited
(ABN 83 004 568 138)
Telephone: 1800 648 556
Facsimile: 1800 628 577
Email: enquiries@robinhood.com.au
www.robinhood.com.au

 Robinhood