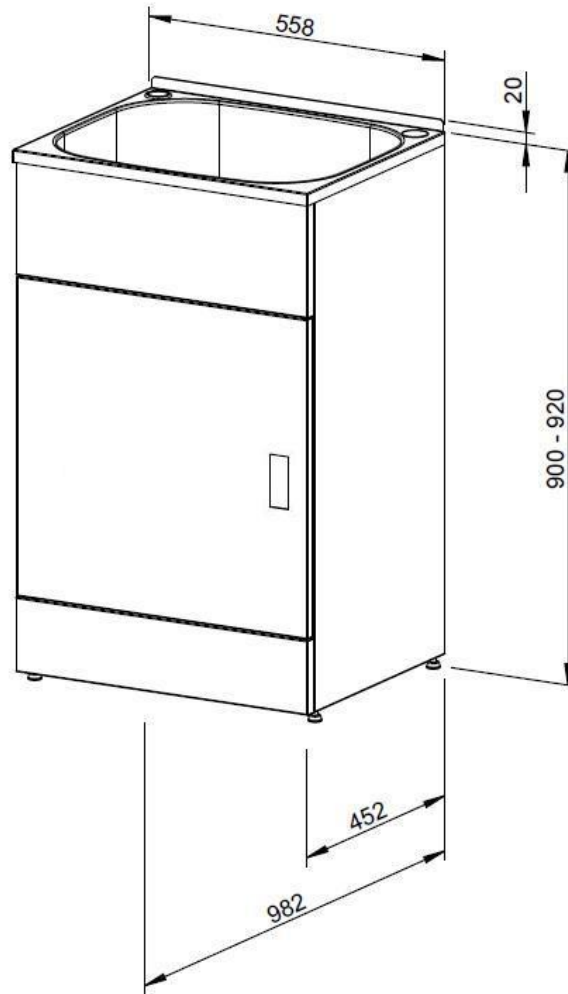


Model Number: **STCL1, STCL1A**
 Description: **SUPERTUB CABINET EXTRA**
 Bar Code: **9414930213385**

Typical design



Features and benefits

Features

- Spacious single door
- Seamless stainless steel tub
- Powder coated galvanized steel cabinet
- Modern styling
- Top apertures for hoses
- Supporting levelling feet
- Separate waste pipe for washing machine
- Improved plumbing components

Benefits

- Easy organization and storage in the laundry
- Left or right option
- Long lasting and easy to clean
- Corrosion resistant for long life
- Compliments leading brands of washing machines
- Easy access for washing machine connections and hides unsightly hoses
- Ensure stability on uneven surfaces
- Allows washing machine to empty when tub is full

Specifications

Technical data:

- Cabinet - 0.6mm galvanized sheet metal, powder coated. 24 months warranty
- Bowl – 0.8mm polished stainless steel bowl, 30 litre capacity. 5 years warranty
- Plastic parts - ABS UV (ultra violet sun protection)

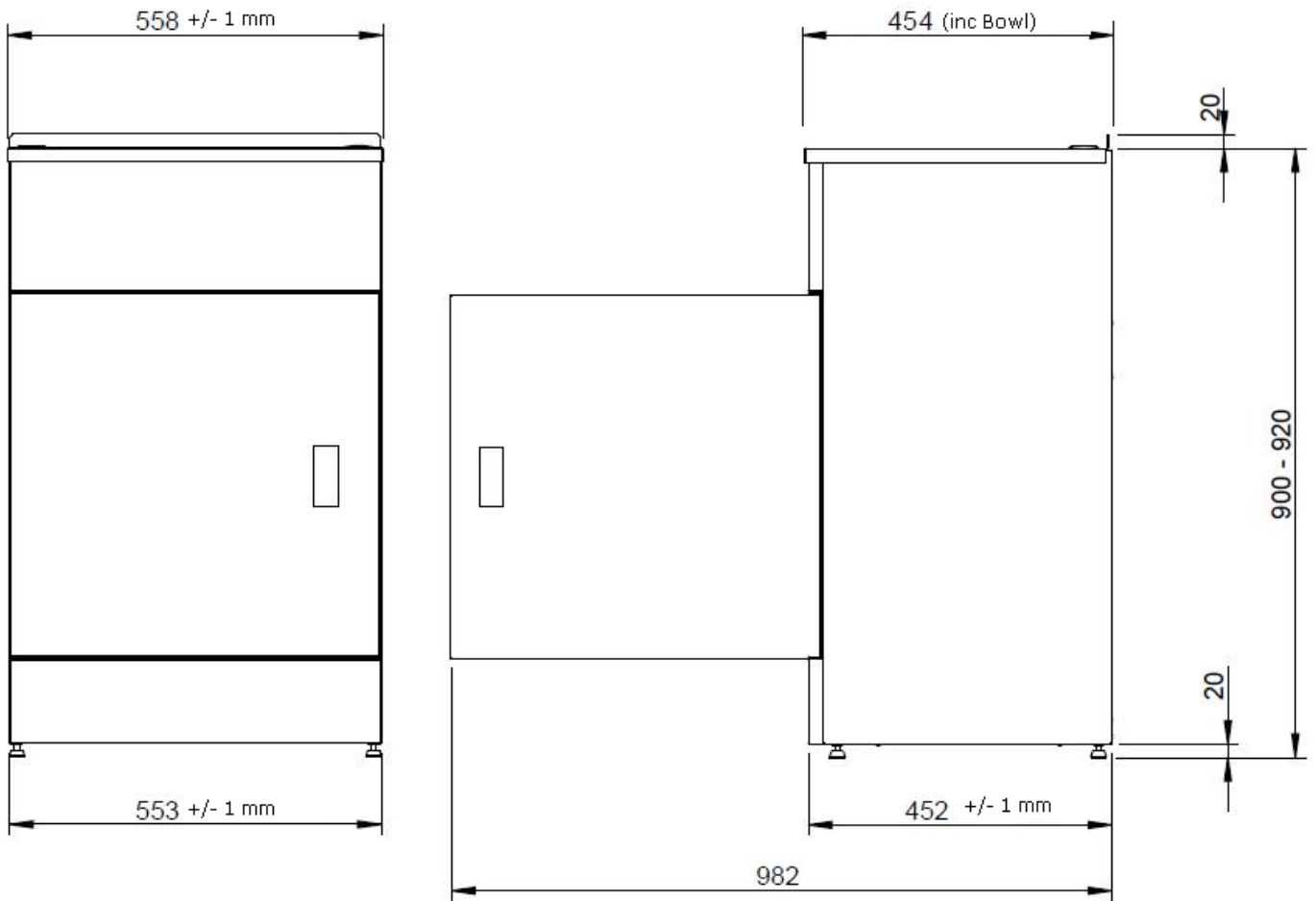
Nett Weight: 13.5 kg

Carton Weight: 17.2 kg

Carton Dimension (mm): 585 x 520 x 970 (w x d x h)

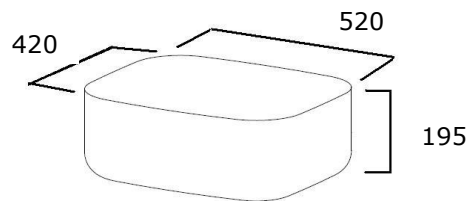
Volume (m3): 0.295 m³

Plan view Dimensions

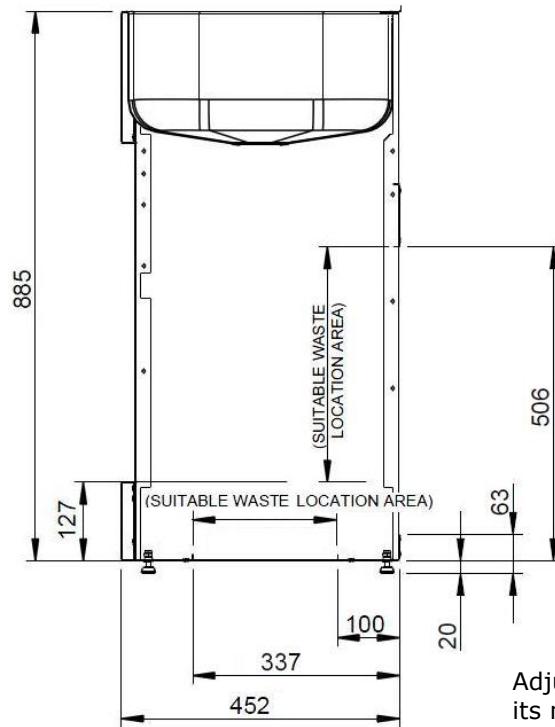


Drawer and Bowl Dimensions

The tub detail to the top of the tub
volume is 40 litres

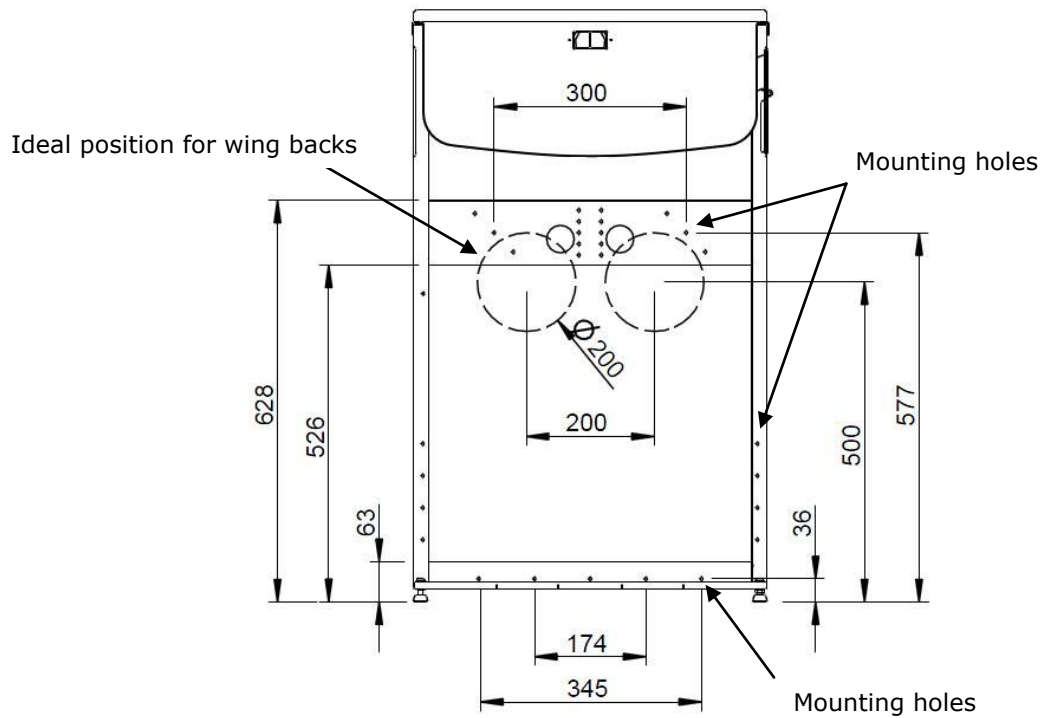


Fit Out Detail Side View



Adjustable feet is at its maximum length at 20mm

Fit Out Detail Front View



New Zealand

Monaco Corporation Ltd
 Telephone: (09) 415 6000
 Facsimile: (09) 415 7400
 Email: enquiries@robinhood.co.nz
www.robinhood.co.nz

Australia

Shriro Australia Pty Ltd
 ABN 28 002 386 129
 Telephone: 1800 648 556
 Facsimile: 1800 628 577
 Email: enquiries@robinhood.com.au
www.robinhood.com.au