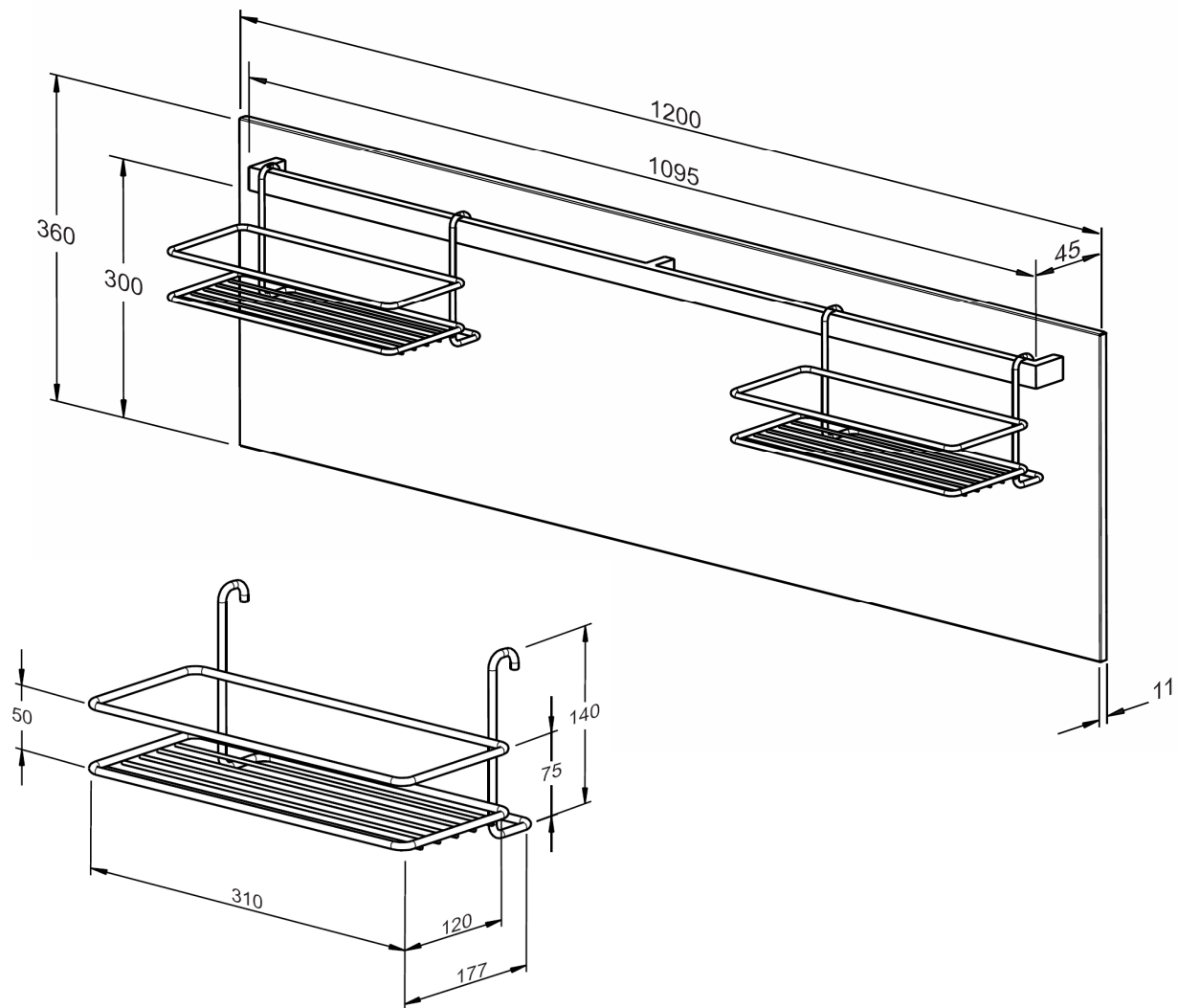


Description: **ROBINHOOD WORKSTATION SUPERTUB SPLASH BACK**  
 Model Number: **SB1200**

## Typical design



## Features and benefits

- Brushed stainless steel handle**  
 Brushed stainless steel handle is smart and practical, and is the same handle used on the Robinhood Workstation Supertub drawers.
- Chrome baskets**  
 Chrome baskets are stylish and elegant yet offer handy storage space for cleaners and brushes.
- Laundry wall protection**  
 Splash back prevents water from splashing against the back wall and causing damage.

## Specifications

**Weight:** 6.0 kg

**Carton dimension (splash back):** 1215 x 505 x 45mm (w x d x h)

**Volume (splash back):** 0.028m<sup>3</sup>

**Carton dimension (baskets):** 335 x 225 x 135mm (w x d x h)

**Volume (baskets):** 0.010m<sup>3</sup>

ISO 9001/2000 CERTIFICATION

### New Zealand

Robinhood Ltd  
Telephone: 0800 760 667  
Facsimile: 0800 276 246  
Email: [enquiries@robinhood.co.nz](mailto:enquiries@robinhood.co.nz)  
[www.robinhood.co.nz](http://www.robinhood.co.nz)

### Australia

Robinhood PTY Ltd  
Telephone: 1800 648 556  
Facsimile: 1800 628 577  
Email: [enquiries@robinhood.com.au](mailto:enquiries@robinhood.com.au)  
[www.robinhood.com.au](http://www.robinhood.com.au)

 Robinhood